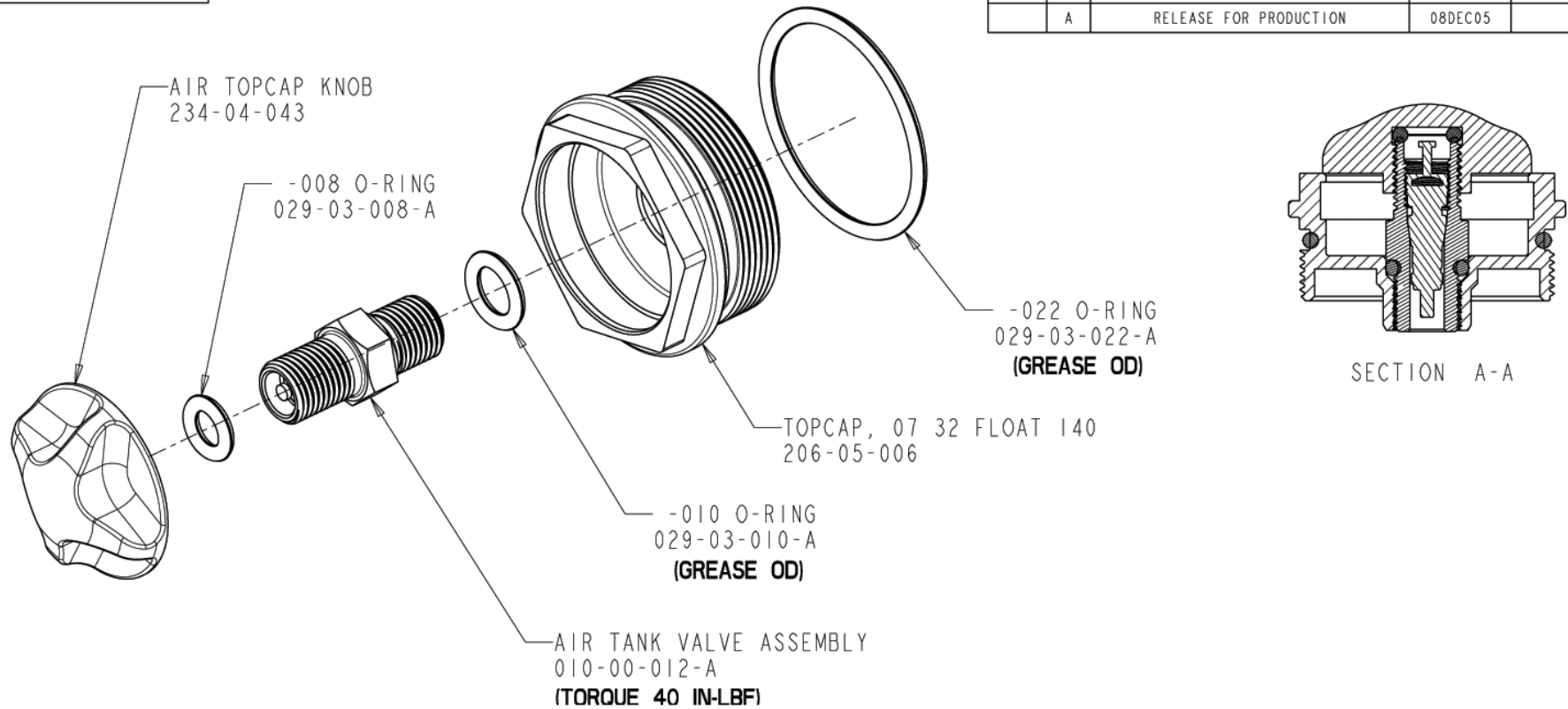


— PROPRIETARY —
 THIS DOCUMENT CONTAINS CONFIDENTIAL, PROPRIETARY INFORMATION
 THAT IS FOX PROPERTY. DO NOT DISCLOSE TO OR DUPLICATE
 FOR OTHERS EXCEPT AS AUTHORIZED BY FOX.

REVISIONS				
ZONE	REV	DESCRIPTION	DATE	APPROVED
	A	RELEASE FOR PRODUCTION	08DEC05	



NOTE: ORDER COMPLETE ASSEMBLY PN 820-05-034

ITEM NO.	QTY.	PART NUMBER	DESCRIPTION	MATERIAL SPEC
UNLESS OTHERWISE SPECIFIED DIMENSIONS ARE IN INCHES [MM]		PER ASME Y14.5M 1994		
TOLERANCES ARE:		FOX Factory, Inc. 130 Hangar Way, Watsonville, CA 94076 USA, Ph 831-768-1100, Fax 831-768-9312		
DECIMALS	.XX [.XX] ± .01 [0,25]	ANGLES	± 1°	AIR SUB-GROUP: 2007 32 FLOAT 140 TOPCAP ASSEMBLY
	.XXX [.XX] ± .005 [0,13]	APPROVALS DWN. BY A. GARIBAY 17OCT05 CHR. BY B. BECKER 08DEC05 ENG. A. TRUJILLO 17OCT05		
THIRD ANGLE PROJECTION		MFG. ADD.		SIZE B PART NO. 820-05-034
DO NOT SCALE DRAWING		PLOT SCALE 2:1		SHEET 1 OF 1