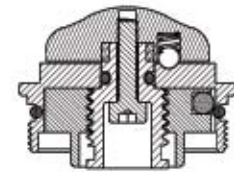
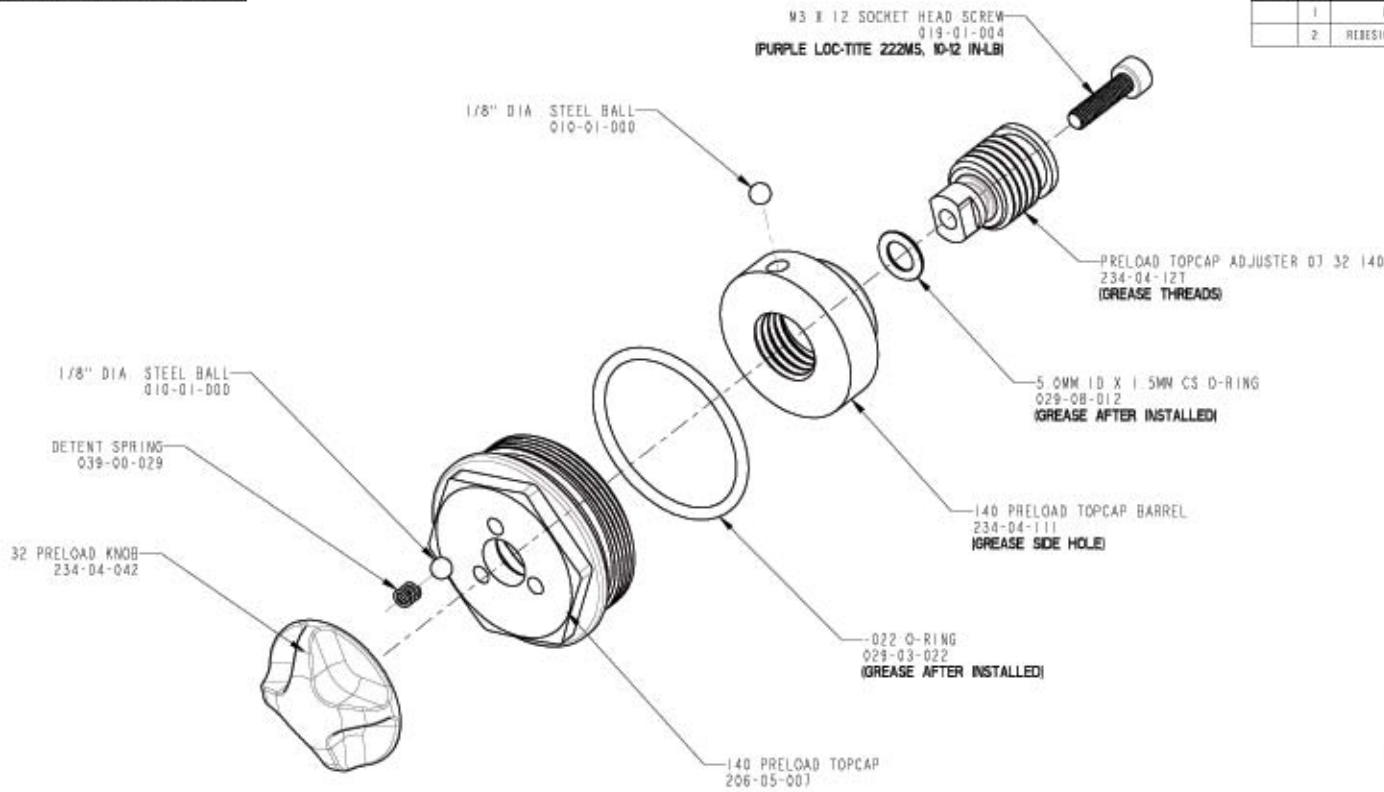


PROPRIETARY
THIS DOCUMENT CONTAINS CONFIDENTIAL, PROPRIETARY INFORMATION
THAT IS FOR PROPERTY. DO NOT DISCLOSE TO BE EMPLOYEE
FOR OTHERS EXCEPT AS AUTHORIZED BY FOX.

REVISIONS				
ZONE	REV	DESCRIPTION	DATE	APPROVED
	1	RELEASE FOR PROTOTYPE	19DCT03	
	2	REDESIGNED FOR 4MM PRELOAD (NAS 1MM)	16JAND06	



SECTION A-A

NOTE: ORDER COMPLETE ASSEMBLY

PN 820-05-033

ITEM NO	QTY	PART NUMBER	DESCRIPTION	MATERIAL SPEC
UNLESS OTHERWISE SPECIFIED DIMENSIONS ARE IN INCHES (MM)				
TOLERANCES ARE				
DECIMALS	ANGLES	APPROVALS	DATE	FOX Factory, Inc. 1300 Airport Way, Redwood City, CA 94061 USA, Ph 801-768-1100, Fax 801-768-8012
XX (.02)	.01 (0.25)	BY A. GARIBAY	16OCT05	
XXX (.01)	.005 (0.13)	CHK BY TRUJILLO	16OCT05	
TITLE AND PROJECTION				
		BY A. TRUJILLO	16OCT05	SIZE C
			PART NO.	820-05-033
			PLOT SCALE	2:1
			SHEET 1 OF 1	