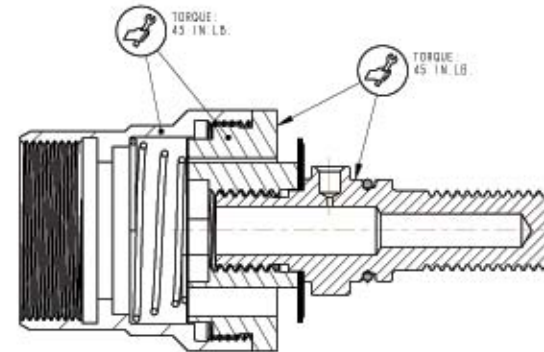
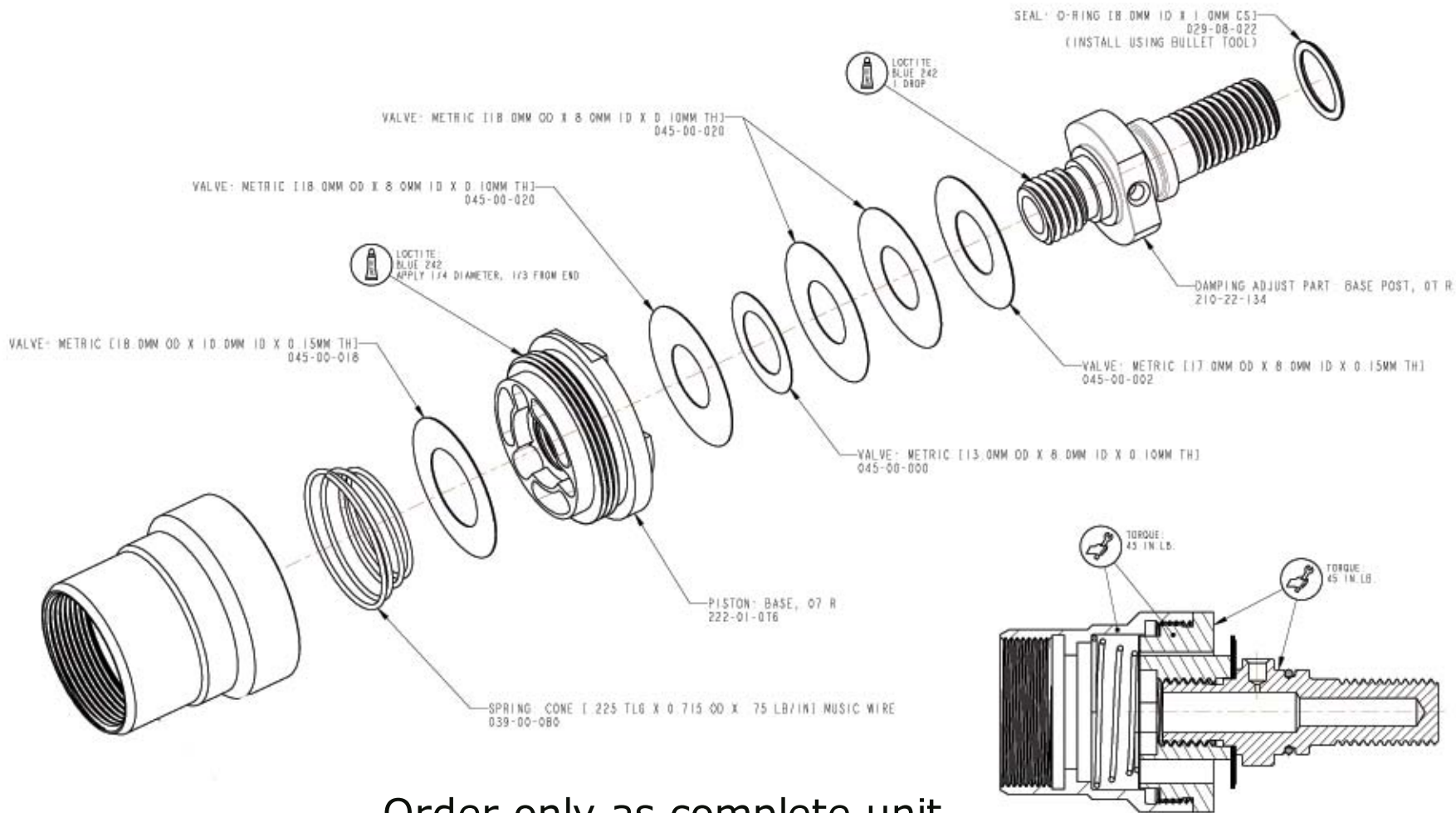


— PROPRIETARY —
THIS DOCUMENT CONTAINS CONFIDENTIAL, PROPRIETARY INFORMATION THAT IS FOR PROPRIETARY USE ONLY. IT IS NOT TO BE REPRODUCED, COPIED, OR DISCLOSED IN ANY MANNER WITHOUT THE WRITTEN PERMISSION OF FOX FACTORY, INC.

REVISIONS				
ZONE	REV	DESCRIPTION	DATE	APPROVED
A		RELEASE FOR PRODUCTION	13MAR06	ART



Order only as complete unit
PN 820-05-027

ITEM NO	QTY	PART NUMBER	DESCRIPTION	MATERIAL SPEC
		PER ASME Y14.5M 1994		
		UNLESS OTHERWISE SPECIFIED DIMENSIONS ARE IN INCHES (MM)		
		TOLERANCES ARE		
DECIMALS	ANGLES	APPROVALS	DATE	1300 Sanger Way, Watsonville, CA 95076 USA, Ph 831-768-1100, Fax 831-768-8312
XX (.XX) ± .01 (XX.25) ± .1		DRN BY A. GARRIBY	14SEP06	SUB-GROUP: BASE VALVE, 07 R
XXX (.XX) ± .005 (0.13)		CHK BY B. BECKER	8MAY08	
		ENG BY M. TRULLIO	14SEP08	PART NO. 820-05-027
		APP BY B. BECKER	8MAY08	
		REV	SIZE C	PLOT SCALE 3:1
		DATE		