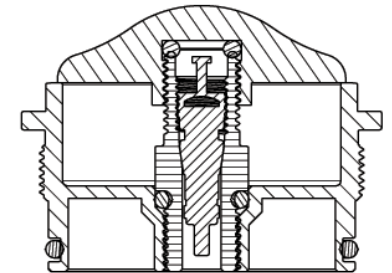
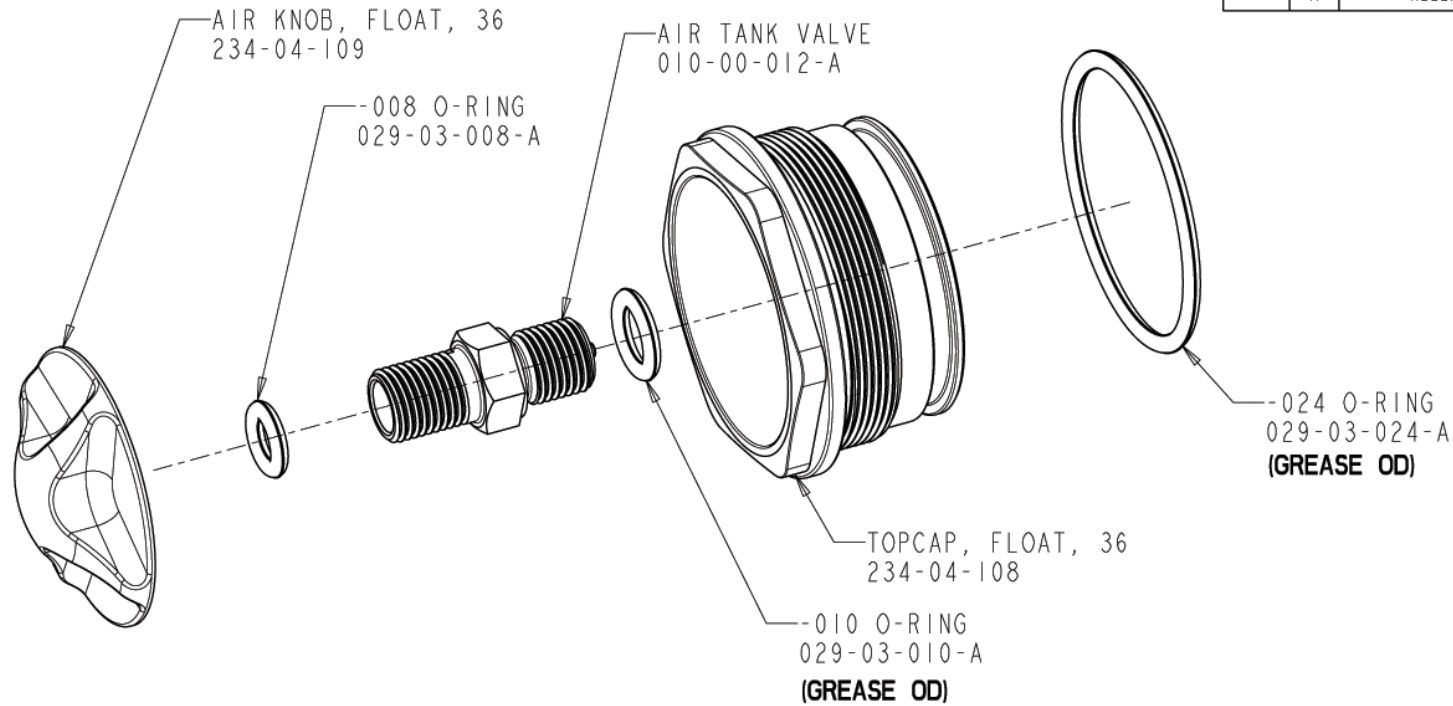


— PROPRIETARY —  
 THIS DOCUMENT CONTAINS CONFIDENTIAL, PROPRIETARY INFORMATION  
 THAT IS FOX PROPERTY. DO NOT DISCLOSE TO OR DUPLICATE  
 FOR OTHERS EXCEPT AS AUTHORIZED BY FOX.

REVISIONS				
ZONE	REV	DESCRIPTION	DATE	APPROVED
	A	RELEASE FOR PRODUCTION	06DEC05	



SECTION A-A

**NOTE: ORDER COMPLETE ASSEMBLY.**

ITEM NO.	QTY.	PART NUMBER	DESCRIPTION	MATERIAL SPEC
UNLESS OTHERWISE SPECIFIED DIMENSIONS ARE IN INCHES [MM]			PER ASME Y14.5M 1994	<b>FOX Factory, Inc.</b> 130 Hangar Way, Watsonville, CA 94076 USA, Ph 831-768-1100, Fax 831-768-9312
TOLERANCES ARE:			APPROVALS	
DECIMALS		ANGLES	DWN. BY	
.XX [.XX] ± .01 [0,25]		± 1°	A. GARIBAY	30JUN05
.XXX [.XX] ± .005 [0,13]			CHK. BY	
			B. BECKER	30JUN05
THIRD ANGLE PROJECTION			ENG.	
			B. BECKER	30JUN05
			MFG.	
			ADD.	
			SIZE	PART NO.
			B	820-05-026
DO NOT SCALE DRAWING			PLOT SCALE	SHEET
			2:1	1 OF 1