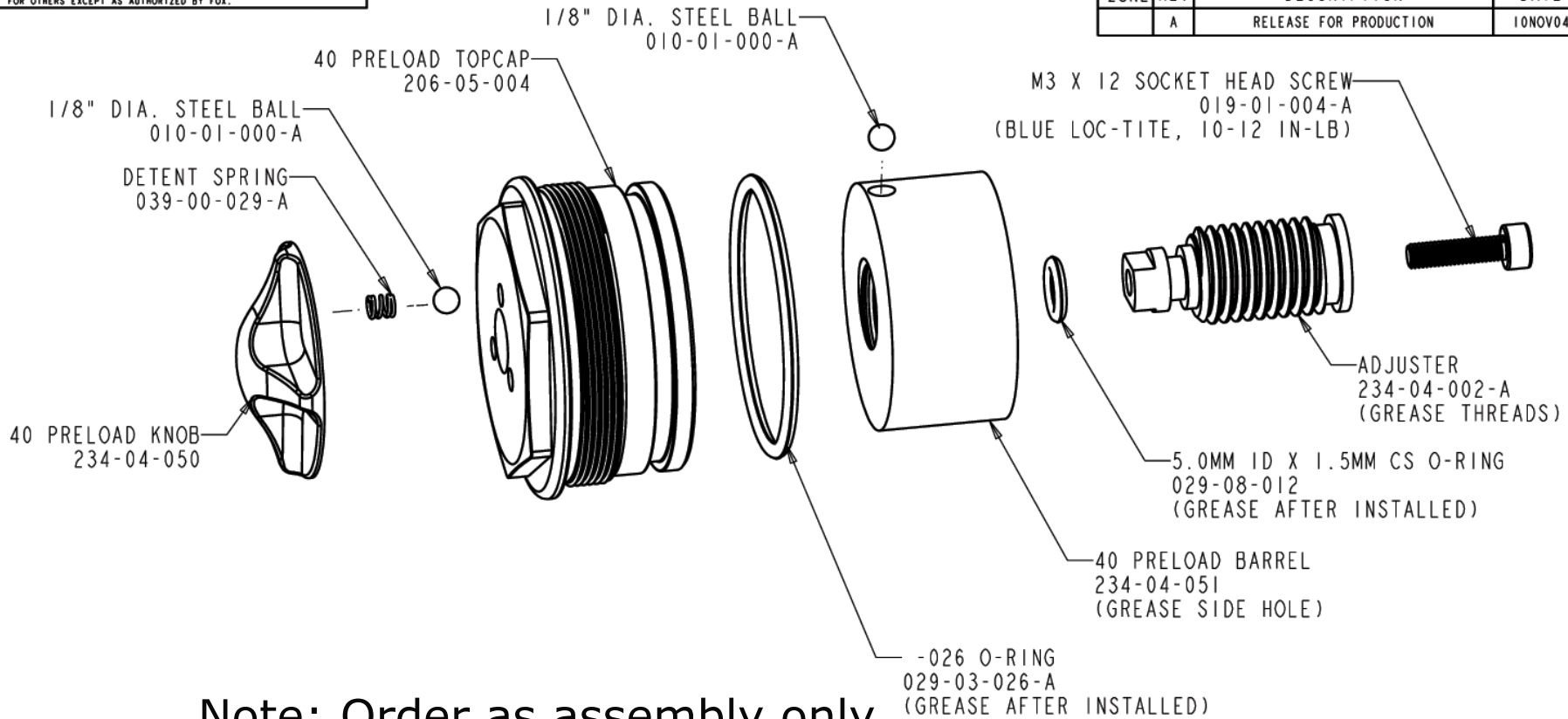


— PROPRIETARY —
 THIS DOCUMENT CONTAINS CONFIDENTIAL, PROPRIETARY INFORMATION
 THAT IS FOX PROPERTY. DO NOT DISCLOSE TO OR DUPLICATE
 FOR OTHERS EXCEPT AS AUTHORIZED BY FOX.

REVISIONS				
ZONE	REV	DESCRIPTION	DATE	APPROVED
	A	RELEASE FOR PRODUCTION	10NOV04	



Note: Order as assembly only

ITEM NO.	QTY.	PART NUMBER	DESCRIPTION	MATERIAL SPEC
UNLESS OTHERWISE SPECIFIED DIMENSIONS ARE IN INCHES			PER ANSI Y14.5M 1994	
TOLERANCES ARE:			APPROVALS	DATE
DECIMALS		ANGLES	DWN. BY	
.XX ± .01		± 1°	B. BECKER	10NOV04
.XXX ± .005			CHK. BY	
			B. BECKER	10NOV04
THIRD ANGLE PROJECTION			ENG.	
			B. BECKER	10NOV04
DO NOT SCALE DRAWING			MFG.	
			ADD.	
			SIZE	PART NO.
			B	820-05-019
			PLOT SCALE	SHEET
			2:1	1 OF 2

FOX Factory, Inc.
 130 Hongor Way, Watsonville, CA 94076 USA, Ph 831-768-1100, Fax 831-768-9312

SPRING SUB-GROUP:
 40 PRELOAD TOPCAP ASSEMBLY