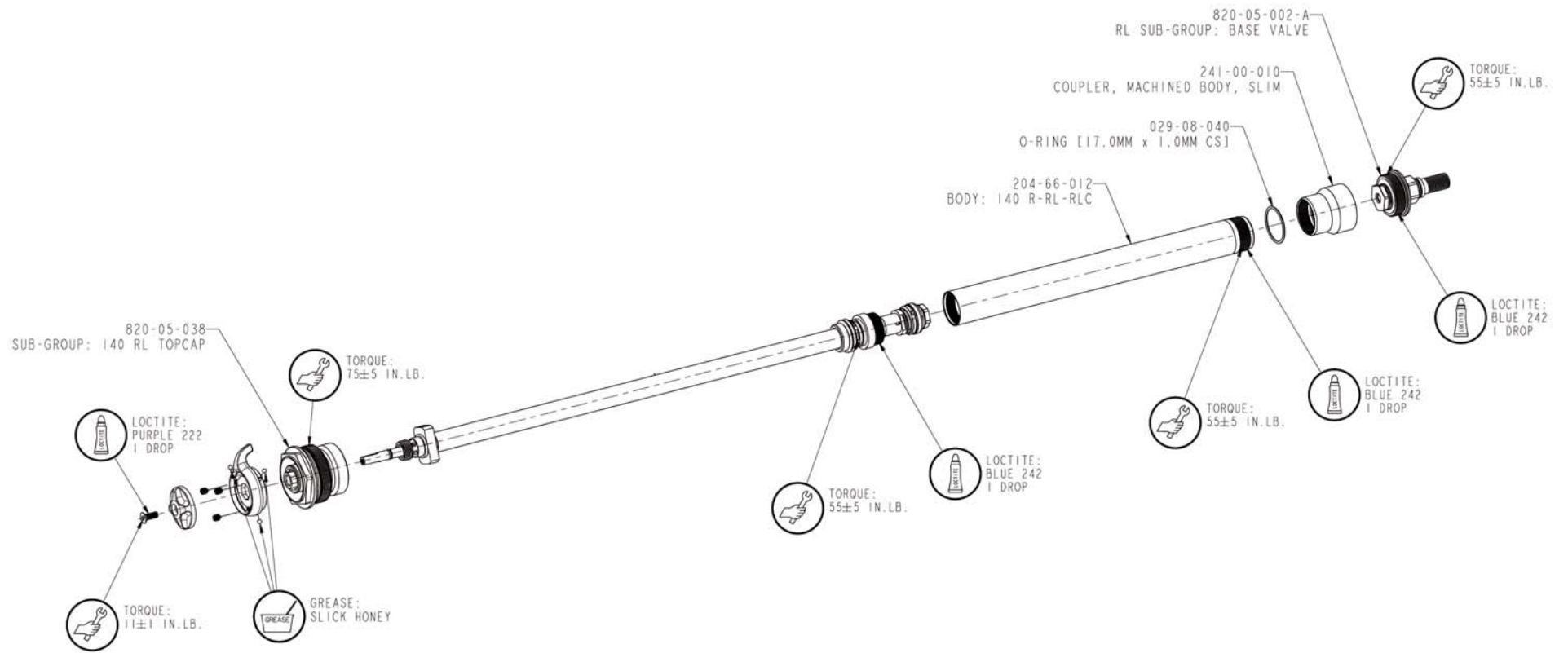


PROPRIETARY
 THIS DOCUMENT CONTAINS CONFIDENTIAL, PROPRIETARY INFORMATION
 THAT IS FOR PROPRIETARY USE ONLY. DO NOT DISSEMINATE TO OR DUPLICATE
 FOR OTHERS EXCEPT AS AUTHORIZED BY FOX.

REVISIONS				
ZONE	REV	DESCRIPTION	DATE	APPROVED
	A	RELEASE FOR PRODUCTION	19SEP08	



ITEM NO.	QTY	PART NUMBER	DESCRIPTION	MATERIAL SPEC
UNLESS OTHERWISE SPECIFIED			PER ASME Y14.5M 1994	
DIMENSIONS ARE IN INCHES (MM)				
TOLERANCES ARE:			APPROVALS	DATE
DECIMALS	ANGLES	THIRD ANGLE PROJECTION	DESIGNED BY	DATE
±0.01 ± .01 (0.25)	± 1°		CHK'D BY	DATE
±0.001 ± .001 (0.13)			ENG'D BY	DATE
THIRD ANGLE PROJECTION			APP'D BY	DATE
DO NOT SCALE DRAWING			SIZE	PART NO.
			D	820-04-097
			PLOT SCALE 1:000	SHEET 1 OF 1

FOX FOX Factory, Inc.
 132 Hauger Way, Watsonville, CA 95076 USA, PO 831-788-1155, Fax 831-788-8312
 Fork Sub-Group:
 Cartridge Assy, 07 32 140 RL