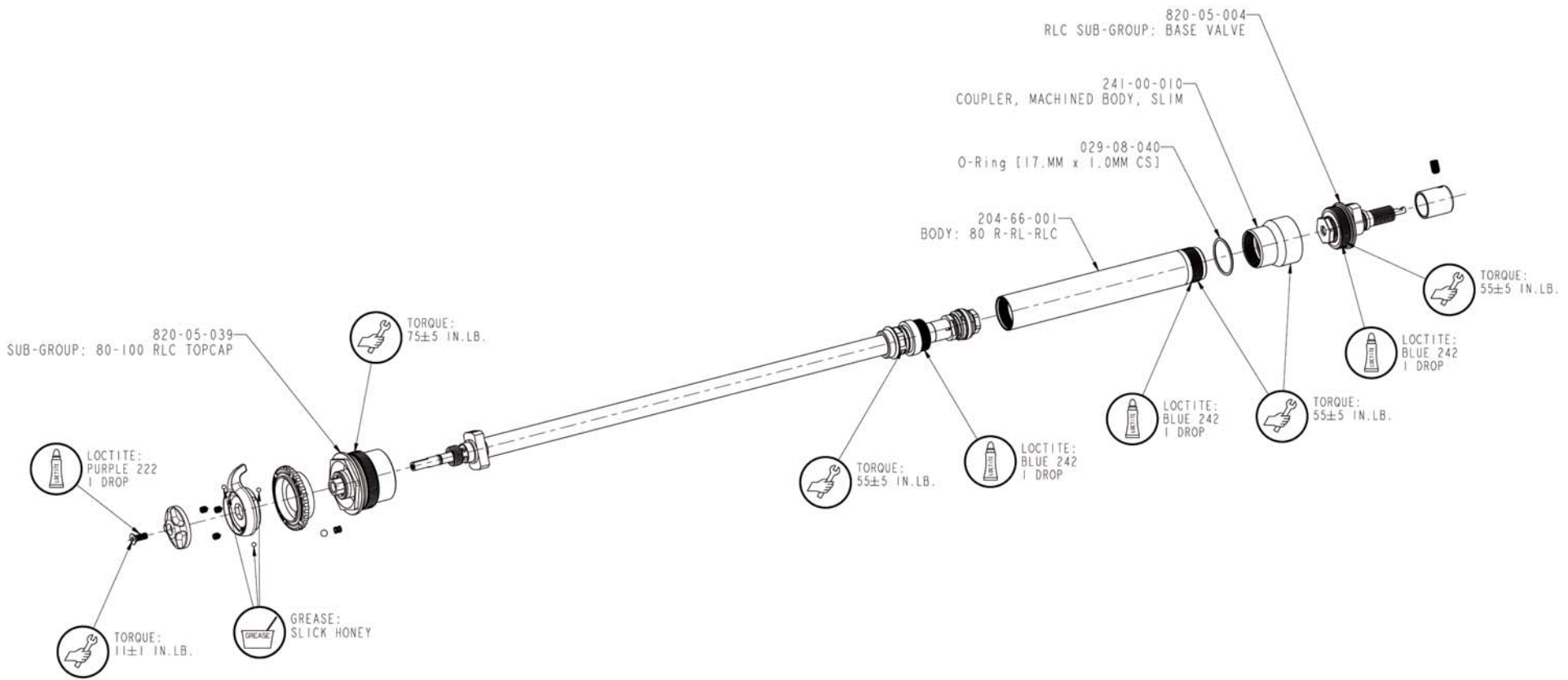


PROPRIETARY
 THIS DOCUMENT CONTAINS CONFIDENTIAL, PROPRIETARY INFORMATION
 THAT IS FOR PROPRIETARY USE ONLY. DO NOT DISSEMINATE OR DUPLICATE
 FOR OTHERS EXCEPT AS AUTHORIZED BY FOX.

REVISIONS				
ZONE	REV	DESCRIPTION	DATE	APPROVED
	A	RELEASE FOR PRODUCTION	18SEP04	



ITEM NO.	QTY	PART NUMBER	DESCRIPTION	MATERIAL SPEC
UNLESS OTHERWISE SPECIFIED			PER ASME Y14.5M 1994	
DIMENSIONS ARE IN INCHES (MM)				
TOLERANCES ARE:			APPROVALS	DATE
DECIMALS	ANGLES		DWG. BY	DEAPROG
IN ()	°		CHK. BY	DEAPROG
THIRD ANGLE PROJECTION			ENG. BY	DEAPROG
			WFO.	
DO NOT SCALE DRAWING			APP.	
			SJZ	
			APP.	
			PLOT SCALE	1:1
			SHEET	1 OF 1

FOX Factory, Inc.
 132 Hauger Way, Watsonville, CA 95076 USA, PO BOX 788-1155, Fax 831-788-8312

Fork Sub-Group:
 Cartridge Assy, 07 32 80 RLC

PART NO: 820-04-096