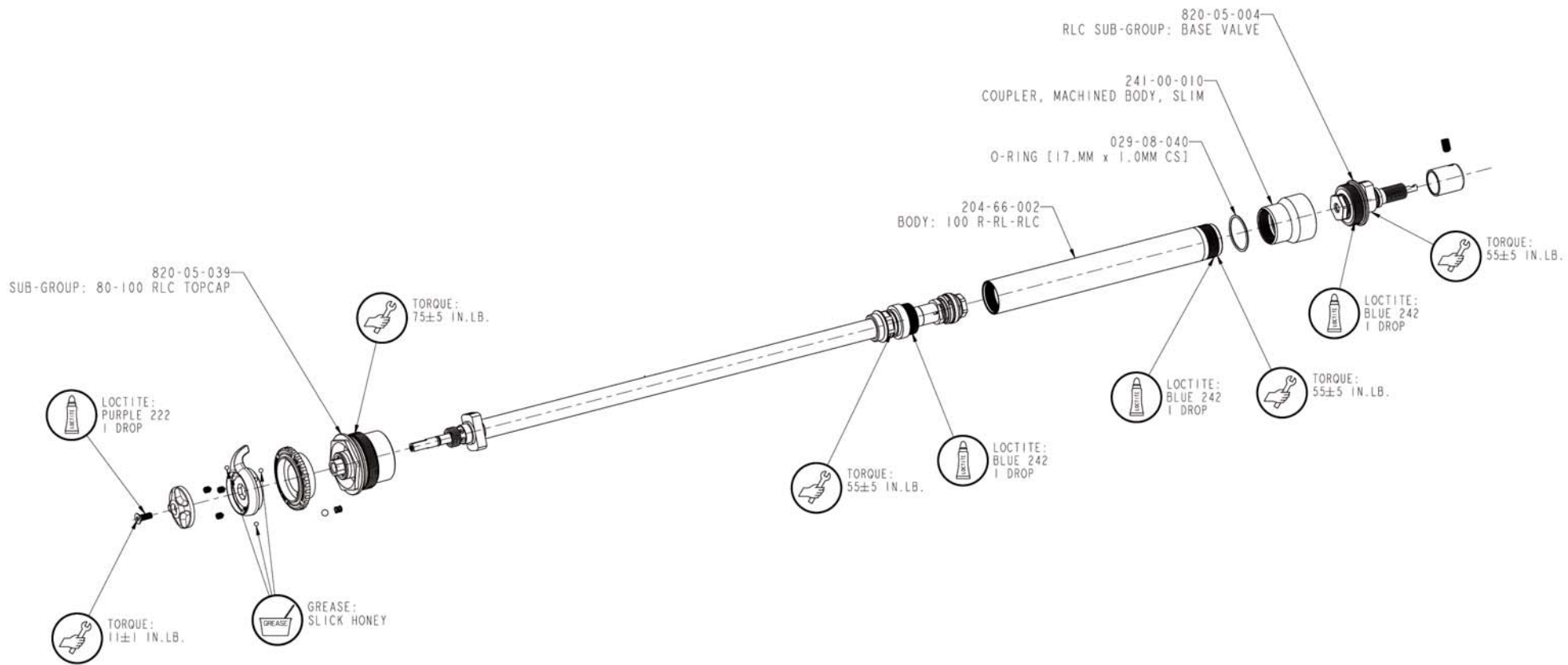


PROPRIETARY
 THIS DOCUMENT CONTAINS CONFIDENTIAL, PROPRIETARY INFORMATION
 THAT IS FOR PROPERTY. DO NOT DISSEMINATE TO OR DUPLICATE
 FOR OTHERS EXCEPT AS AUTHORIZED BY FOX.

REVISIONS				
ZONE	REV	DESCRIPTION	DATE	APPROVED
	A	RELEASE FOR PRODUCTION	18SEP04	



ITEM NO.	QTY.	PART NUMBER	DESCRIPTION	MATERIAL SPEC.
		UNLESS OTHERWISE SPECIFIED		
		DIMENSIONS ARE IN INCHES (MM)		
		PER ASME Y14.5M 1994		
		TOLERANCES ARE:		
DECIMALS	ANGLES	APPROVALS		
±0.01 & .01 (0.25)	±0.1°	DESIGNED BY	DATE	132 Hauger Way, Watsonville, CA 95076 USA, PO 831-788-1155, Fax 831-788-8312
±0.001 & .001 (0.13)		CHK'D BY	DEAPROG	FOX Factory, Inc.
		ENG. BY	DEAPROG	
		THIRD ANGLE PROJECTION		
		DRAWN BY		
		MFG. BY		
		APP. BY		
		DO NOT SCALE DRAWING		
		PLOT SCALE 1:1		SHEET 1 OF 1

Fork Sub-Group:
 Cartridge Assy, 07 32 100 RLC
 PART NO. 820-04-095