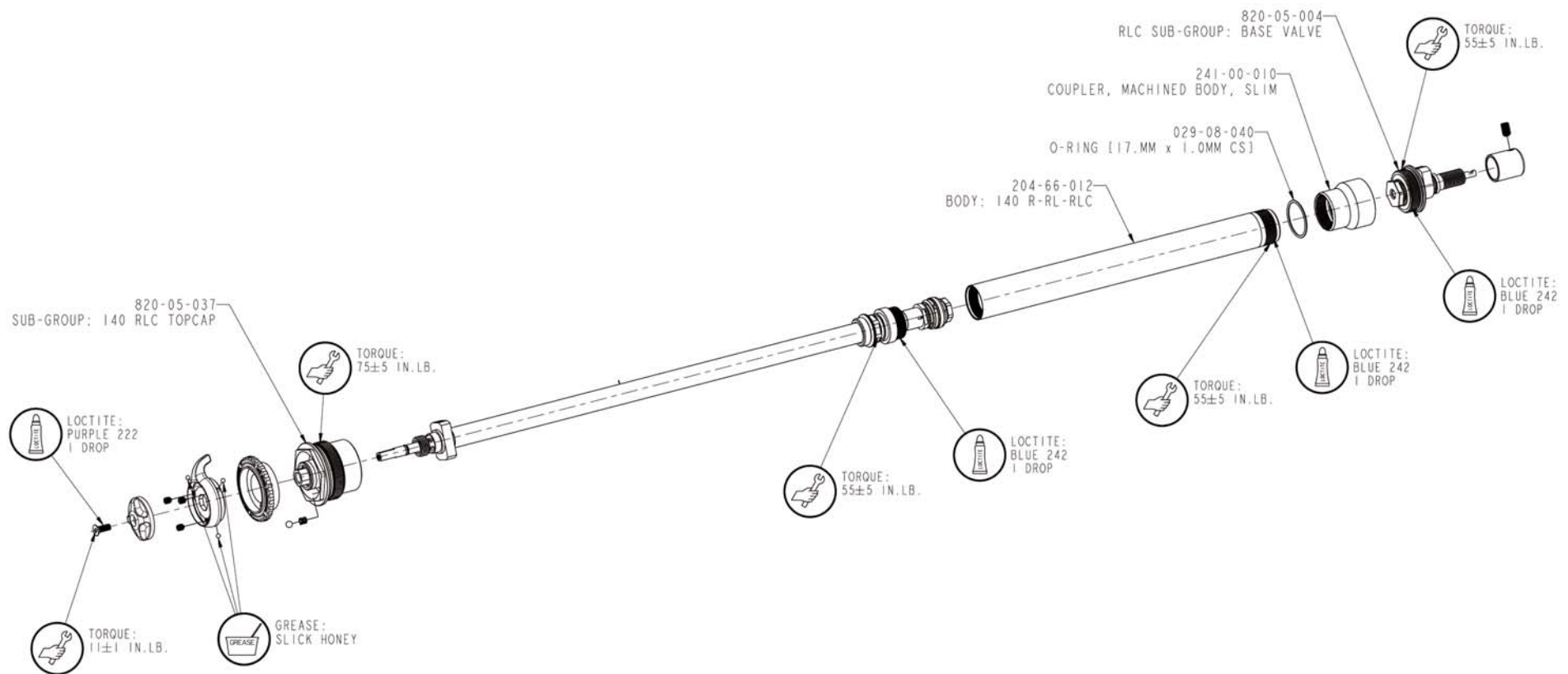


PROPRIETARY
 THIS DOCUMENT CONTAINS CONFIDENTIAL, PROPRIETARY INFORMATION
 THAT IS FOR PROPERTY. DO NOT DISSEMINATE TO OR DUPLICATE
 FOR OTHERS EXCEPT AS AUTHORIZED BY FOX.

REVISIONS				
ZONE	REV	DESCRIPTION	DATE	APPROVED
	A	RELEASE FOR PRODUCTION	19SEP06	



ITEM NO.	QTY	PART NUMBER	DESCRIPTION	MATERIAL SPEC
UNLESS OTHERWISE SPECIFIED		PER ASME Y14.5M 1994		
DIMENSIONS ARE IN		INCHES (MM)		
TOLERANCES ARE:		APPROVALS	DATE	132 Hauger Way, Watsonville, CA 95076 USA, PO BOX 788-1155, Fax 831-788-8312
DECIMALS	ANGLES	DRW: B. LAMPMAN	DEAPROG	 Fork Sub-Group: Cartridge Assy, 07 32 140 RLC
XX (.XX) ± .01 (0.25)	° ' "	CHK: B. LAMPMAN	DEAPROG	
XXX (.XX) ± .005 (0.12)		ENG: B. LAMPMAN	DEAPROG	PART NO: 820-04-094 SIZE: D PLOT SCALE: 1:1 SHEET 1 OF 1
THIRD ANGLE PROJECTION		WFO:		
DO NOT SCALE DRAWING		DRG:		