

— PROPRIETARY —
 THIS DOCUMENT CONTAINS CONFIDENTIAL, PROPRIETARY INFORMATION
 THAT IS FOR PAPERWORK ONLY. DO NOT DISCLOSE TO BE Duplicated
 FOR OTHERS EXCEPT AS AUTHORIZED BY FOX.

REVISIONS				
ZONE	REV	DESCRIPTION	DATE	APPROVED
	A	RELEASE TO PRODUCTION	13MARD6	ART

D

D

C

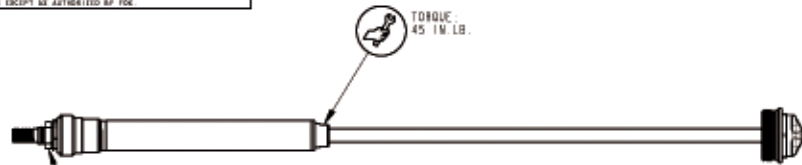
C

B

B

A

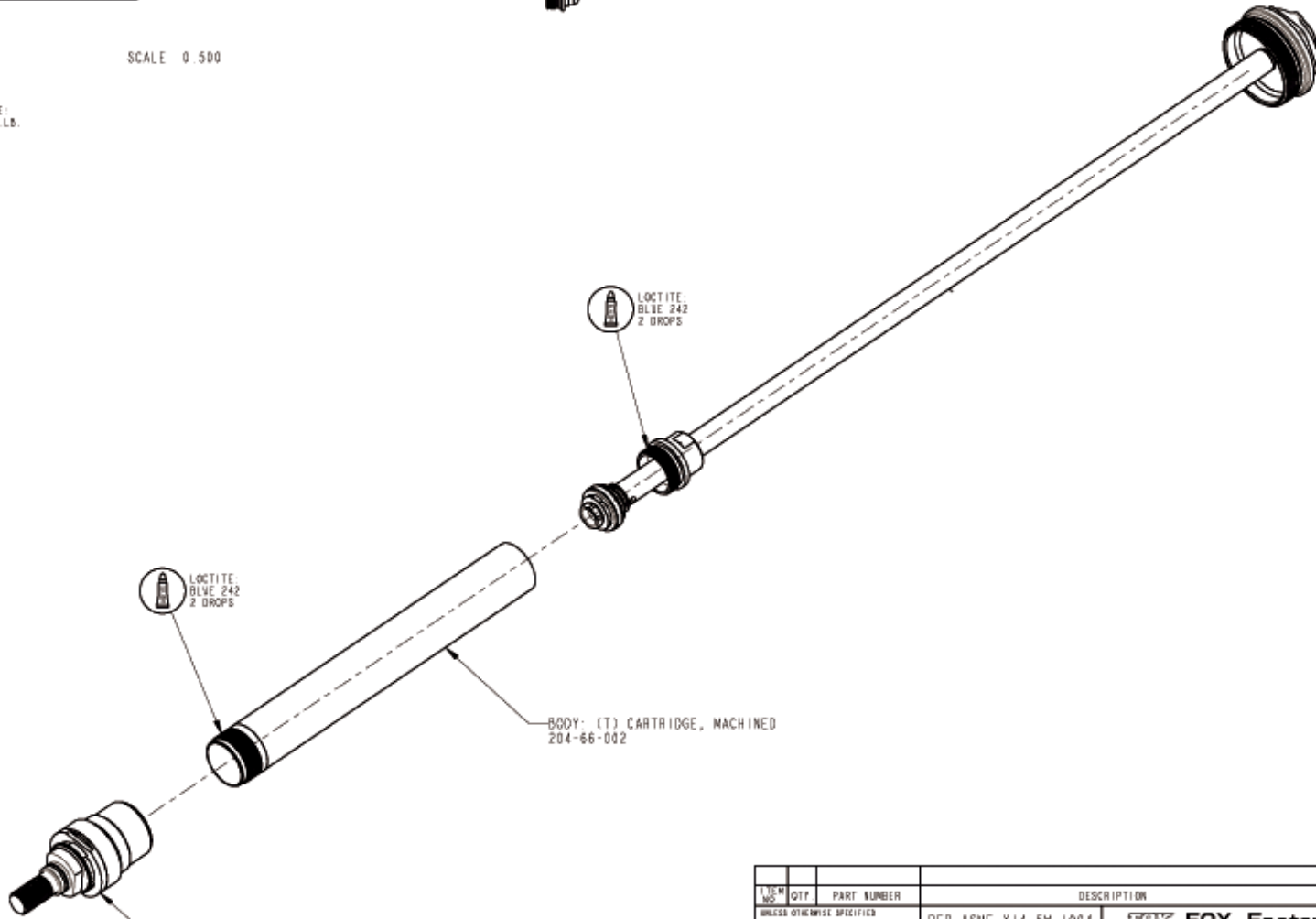
A



SCALE 0.500

TORQUE
45 IN. LB.

TORQUE
45 IN. LB.



LOCTITE,
BLUE 242
2 DROPS

LOCTITE,
BLUE 242
2 DROPS

BODY: (T) CARTRIDGE, MACHINED
204-66-002

SUB-GROUP: BASE VALVE
820-05-021

ITEM	QTY	PART NUMBER	DESCRIPTION	MATERIAL SPEC
UNLESS OTHERWISE SPECIFIED DIMENSIONS ARE IN INCHES (MM)				
TOLERANCES ARE		APPROVALS	DATE	
DECIMALS	ANGLES	BY A. GRIFFIN	28.JUL.06	
X3 (.03) ± .01 (0.25)	± .1°	CHK BY D. DECKER	28.MAR.08	
X33 (.01) ± .005 (0.13)		BY W. TRULLIO	28.JUL.08	
TYPICAL PROJECTION		BY S. BLICK	28.MAR.08	
		SIZE	C	PART NO. 820-04-083
PLOT SCALE 1:1			SHEET 1 OF 2	

4

3

2

1