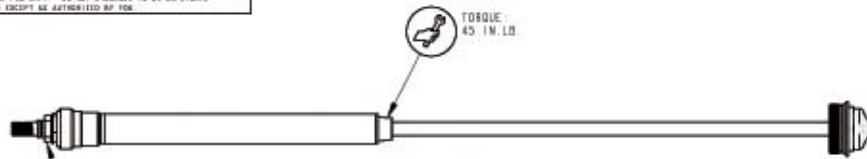


— PROPRIETARY —  
 THIS DOCUMENT CONTAINS CONFIDENTIAL, PROPRIETARY INFORMATION  
 THAT IS FOR PROPERTY. DO NOT DISCLOSE TO BE EMPLOYEE  
 FOR OTHERS EXCEPT AS AUTHORIZED BY FOX.

REVISIONS				
ZONE	REV	DESCRIPTION	DATE	APPROVED
	A	RELEASE TO PRODUCTION	13MAR06	ART

D

D



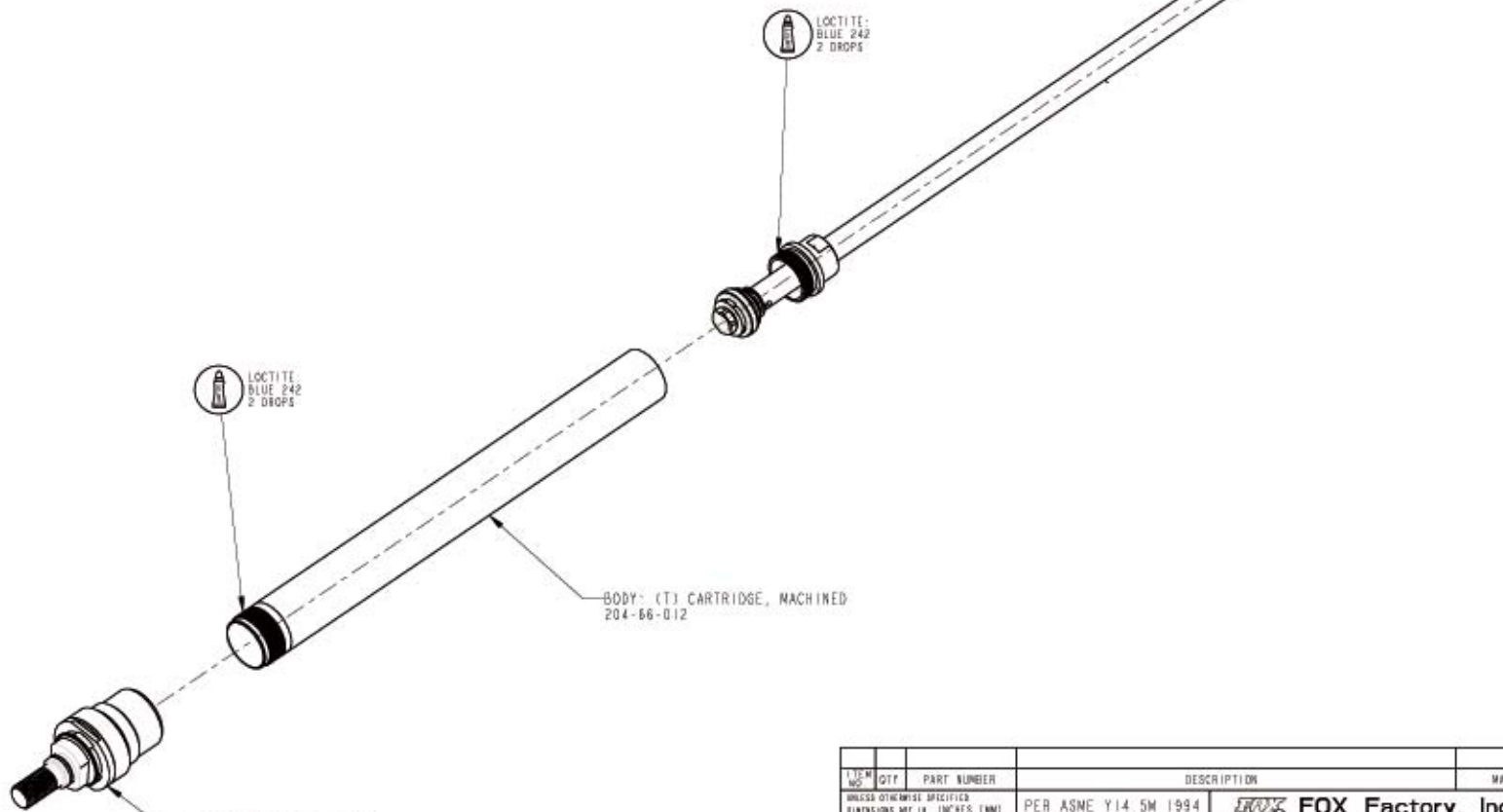
SCALE 0.500

TORQUE:  
45 IN. LB

TORQUE:  
45 IN. LB

C

C



LOCTITE:  
BLUE 242  
2 DROPS

LOCTITE:  
BLUE 242  
2 DROPS

BODY: (T) CARTRIDGE, MACHINED  
204-66-012

SUB-GROUP: BASE VALVE  
820-05-D2T

B

B

A

A

ITEM NO	QTY	PART NUMBER	DESCRIPTION	MATERIAL SPEC
		PER ASME Y14.5M 1994		
UNLESS OTHERWISE SPECIFIED DIMENSIONS ARE IN INCHES (MM)		APPROVALS		DATE
TOLERANCES ARE		APPROVED		DATE
DECIMALS	ANGLES	BY	DATE	
XX (.XX)	01 (10, 20)	A. GARIBAY	23JUL06	
XXX (.XX) ±	045 (10, 15)	BY	DATE	
		B. BECKER	23MAY06	
TYPICAL PROJECTION		BY	DATE	
		A. TRUJILLO	23JUL06	
		BY	DATE	
		B. BECKER	23MAY06	
		BY	DATE	
PLOT SCALE 1:1			SHEET 1 OF 2	

**FOX Factory, Inc.**

1300 Sycamore Way, Watsonville, CA 95076 USA, Ph 831-768-1100, Fax 831-768-4312

CARTRIDGE ASSEMBLY: 07 32  
140 R, 8 MM

PART NO. 820-04-076

4

3

2

1