

4

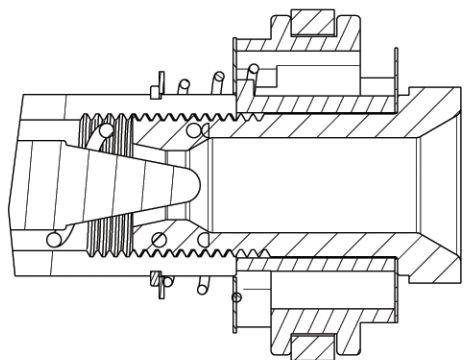
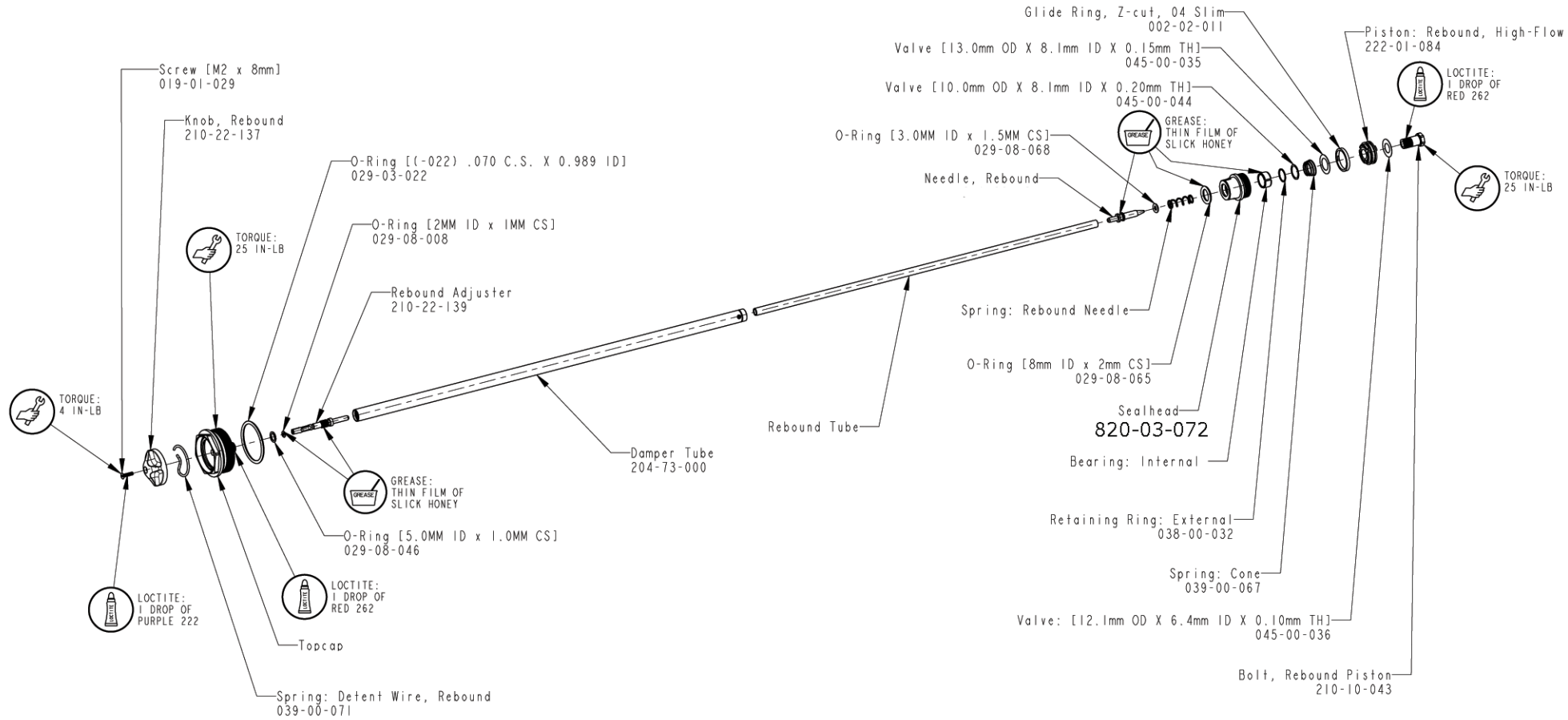
3

2

1

PROPRIETARY
THIS DOCUMENT CONTAINS CONFIDENTIAL, PROPRIETARY INFORMATION
THAT IS FOR PROPERTY. DO NOT DISCLOSE TO OR DUPLICATE
FOR OTHERS EXCEPT AS AUTHORIZED BY FOX.

REVISIONS				
ZONE	REV	DESCRIPTION	DATE	APPROVED
	A	RELEASE FOR PRODUCTION	17APR06	ART
	B	CHANGED LOC-TITE FROM BLUE 242 TO RED 262 AT TOPCAP AND REBOUND BOLT	04AUG06	



Note: Not sold as full assembly, Small parts available when part number indicated !

ITEM NO.	QTY.	PART NUMBER	DESCRIPTION	MATERIAL SPEC
UNLESS OTHERWISE SPECIFIED DIMENSIONS ARE IN INCHES [MM]			PER ASME Y14.5M 1994	
TOLERANCES ARE:			APPROVALS	DATE
DECIMALS	ANGLES		DWN. BY	
.XX [.X] ± .01 [0.25]	± 1°		A. GARIBAY	14SEP05
.XXX [.XX] ± .005 [0.13]			CHK. BY	
			B. BECKER	06MAR06
THIRD ANGLE PROJECTION			ENG.	
			A. TRUJILLO	14SEP05
			MFG.	
			D. BEICH	06MAR06
			ADD.	
			SIZE	PART NO.
			C	820-03-074-NS
			PLOT SCALE 0.500	SHEET 1 OF 2

4

3

2

1