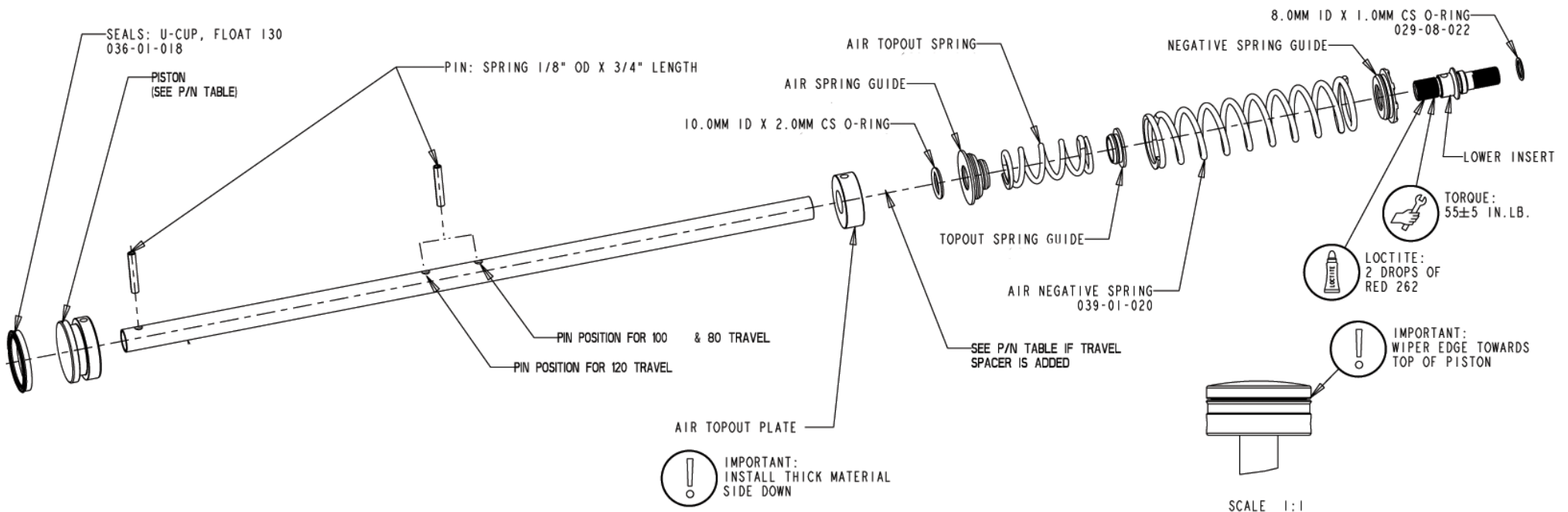


REVISIONS				
ZONE	REV	DESCRIPTION	DATE	APPROVED
	A	RELEASE FOR PRODUCTION	06MAR07	
	B	CHANGED AIR SHAFT TO BE 2 TRAVEL HOLE HT. AND 80MM ASSY USES 20MM TRAVEL SPACER.	06APR07	



! IMPORTANT: INSTALL THICK MATERIAL SIDE DOWN

! TORQUE: 55±5 IN.LB.

! LOCTITE: 2 DROPS OF RED 262

! IMPORTANT: WIPER EDGE TOWARDS TOP OF PISTON

SCALE 1:1

Note: Sold as complete Unit Only
 PN 820-02-052 29ER 120MM
 PN 820-02-050 29ER 100MM To Make an
 80MM USE Spacer PN 234-05-000-B 20MM

ASSY P/N	ASSEMBLY NAME	PISTON P/N	TRAVEL SPACER P/N
820-02-052	08 29ER 120 AIR SHAFT ASSY	222-01-083	NONE
820-02-050	08 29ER 100 AIR SHAFT ASSY	222-01-025	NONE
820-02-051	08 29ER 80 AIR SHAFT ASSY	222-01-025	234-05-000-B (20MM)

ITEM NO.	QTY.	PART NUMBER	DESCRIPTION	MATERIAL SPEC
		UNLESS OTHERWISE SPECIFIED DIMENSIONS ARE IN: INCHES [MM]		
		PER ASME Y14.5M 1994		
		FOX Factory, Inc. 130 Hangar Way, Watsonville, CA 95076 USA, Ph 831-768-1100, Fax 831-768-9312		
		TOLERANCES ARE: DECIMALS .XX [.XX] ± .01 [0,25] ANGLES ± 1° .XXX [.XX] ± .005 [0,13]		
		APPROVALS DWN. BY A. GARIBAY 04DEC06 CHR. BY B. BECKER 04DEC06 ENG. B. BECKER 04DEC06 MFG. ADD.		
		THIRD ANGLE PROJECTION 		
		DO NOT SCALE DRAWING		
		SIZE B PLOT SCALE 1:1 SHEET 1 OF 1		
		PART NO. 820-02-05X SPRING SUB-GROUP: 08 29ER (T) AIR SHAFT ASSEMBLY		