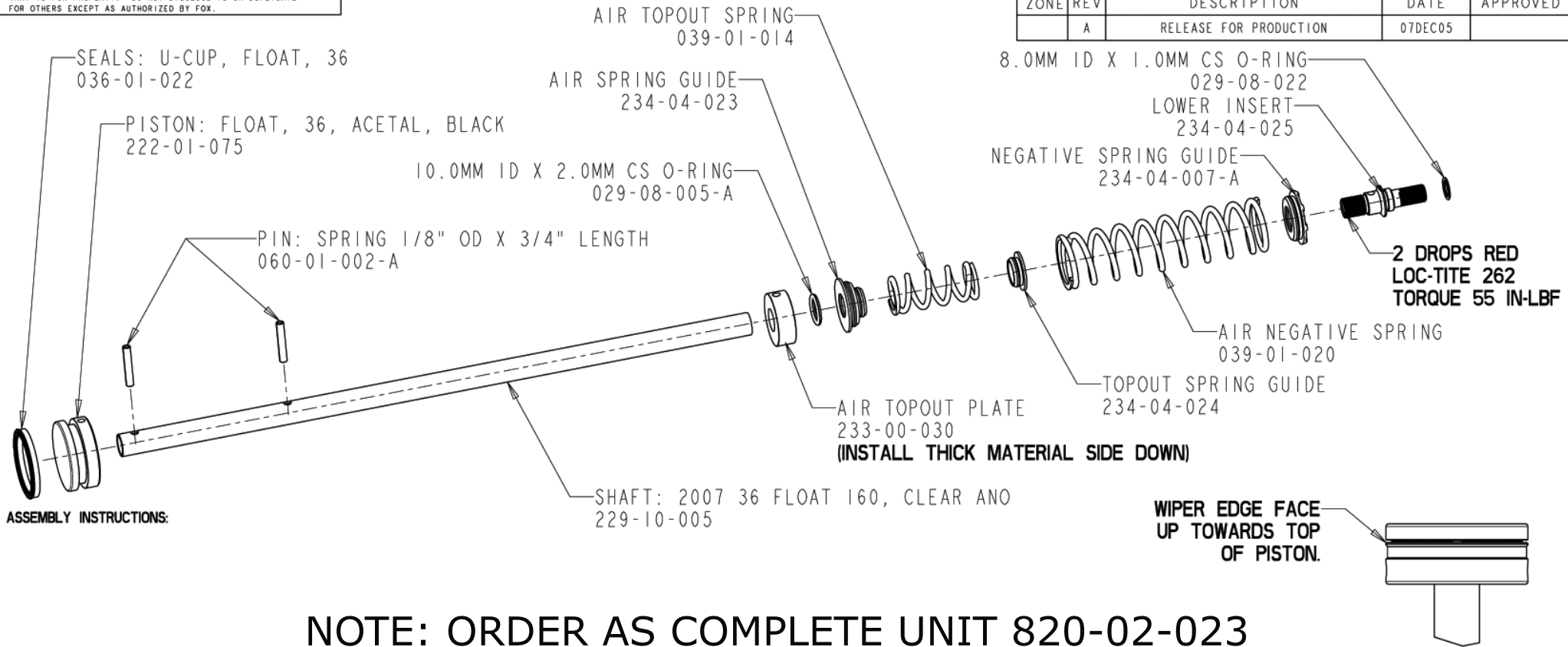


— PROPRIETARY —
 THIS DOCUMENT CONTAINS CONFIDENTIAL, PROPRIETARY INFORMATION
 THAT IS FOX PROPERTY. DO NOT DISCLOSE TO OR DUPLICATE
 FOR OTHERS EXCEPT AS AUTHORIZED BY FOX.

REVISIONS				
ZONE	REV	DESCRIPTION	DATE	APPROVED
	A	RELEASE FOR PRODUCTION	07DEC05	



ASSEMBLY INSTRUCTIONS:

NOTE: ORDER AS COMPLETE UNIT 820-02-023

SCALE 1.2:1

ITEM NO.	QTY.	PART NUMBER	DESCRIPTION	MATERIAL SPEC	
UNLESS OTHERWISE SPECIFIED DIMENSIONS ARE IN INCHES [MM]		PER ASME Y14.5M 1994			
TOLERANCES ARE:		FOX Factory, Inc. 130 Hangar Way, Watsonville, CA 94076 USA, Ph 831-768-1100, Fax 831-768-9312			
DECIMALS	.XX [.XX] ± .01 [0,25]	APPROVALS	DATE	SPRING SUB-GROUP: 2007 36 FLOAT 160 AIR SHAFT ASSEMBLY	
ANGLES	± 1°	DWN. BY	A. GARIBAY		30JUN05
	.XXX [.XX] ± .005 [0,13]	CHR. BY	B. BECKER		30JUN05
		ENG.	B. BECKER		30JUN05
THIRD ANGLE PROJECTION		MFG.		SIZE	
		ADD.		B	
DO NOT SCALE DRAWING		PLOT SCALE 1:1		PART NO. 820-02-023	
			SHEET 1 OF 1		