

4

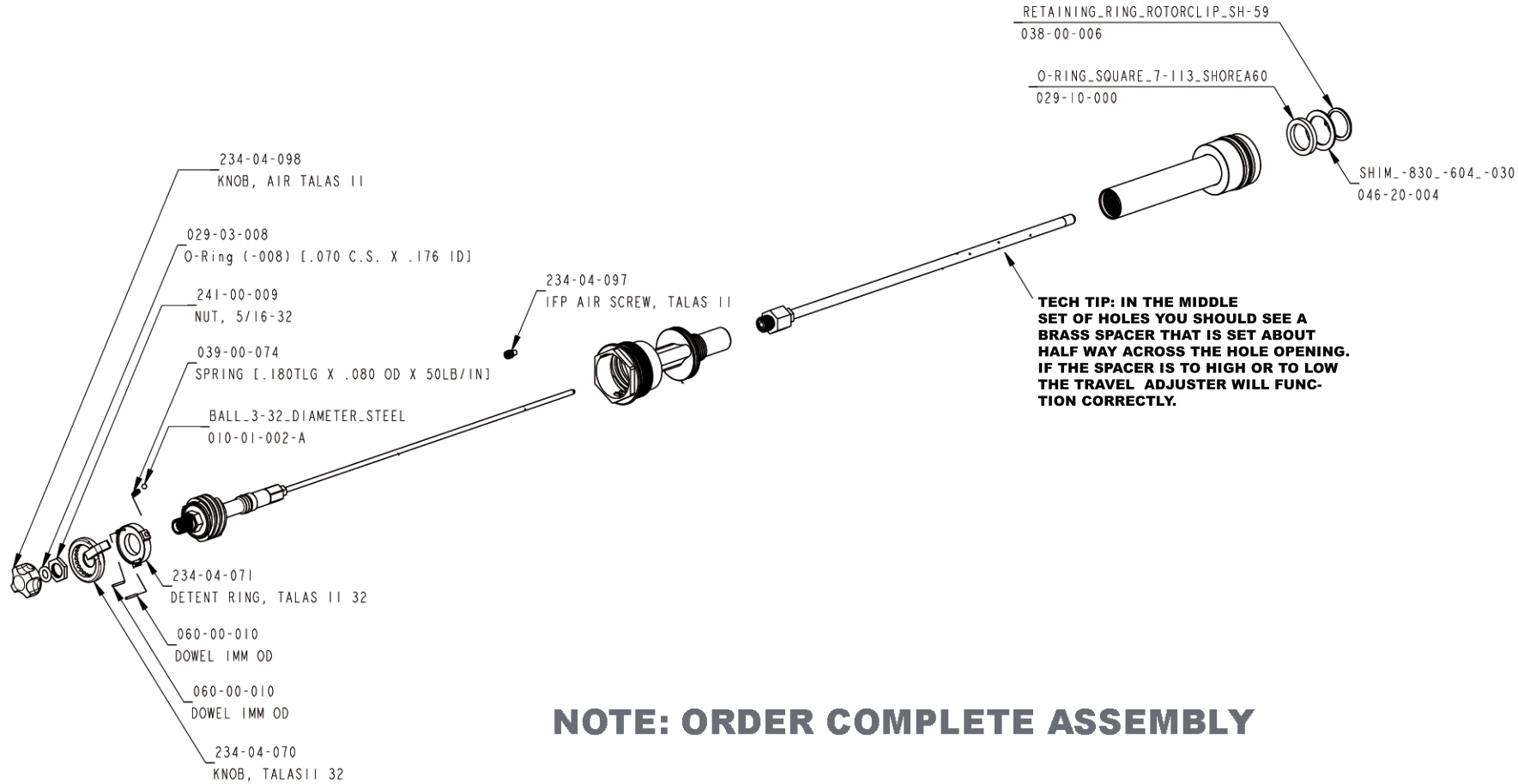
3

2

1

— PROPRIETARY —
THIS DOCUMENT CONTAINS CONFIDENTIAL, PROPRIETARY INFORMATION
THAT IS FOX PROPERTY. DO NOT DISCLOSE TO OR DUPLICATE
FOR OTHERS EXCEPT AS AUTHORIZED BY FOX.

REVISIONS				
ZONE	REV	DESCRIPTION	DATE	APPROVED
	-	-	-	-



NOTE: ORDER COMPLETE ASSEMBLY

PN 820-02-018

ITEM NO.	QTY.	PART NUMBER	DESCRIPTION	MATERIAL SPEC
UNLESS OTHERWISE SPECIFIED		PER ASME Y14.5M 1994		
DIMENSIONS ARE IN INCHES [MM]		FOX Factory, Inc.		
TOLERANCES ARE:		APPROVALS	DATE	130 Hangar Way, Watsonville, CA 95076 USA, Ph 831-768-1100, Fax 831-768-9312
DECIMALS	ANGLES	DWN. BY	D.BEICH	-
.XX [.X] ± .01 [0.25]	± 1°	CHK. BY	B.BECKER	-
.XXX [.XX] ± .005 [0.13]		ENG.	P.HAMMERSTROM	-
THIRD ANGLE PROJECTION		MFG.		SIZE C
ADD.				PART NO. 820-02-018
			PLOT SCALE 0.600	SHEET 1 OF 8

4

3

2

1