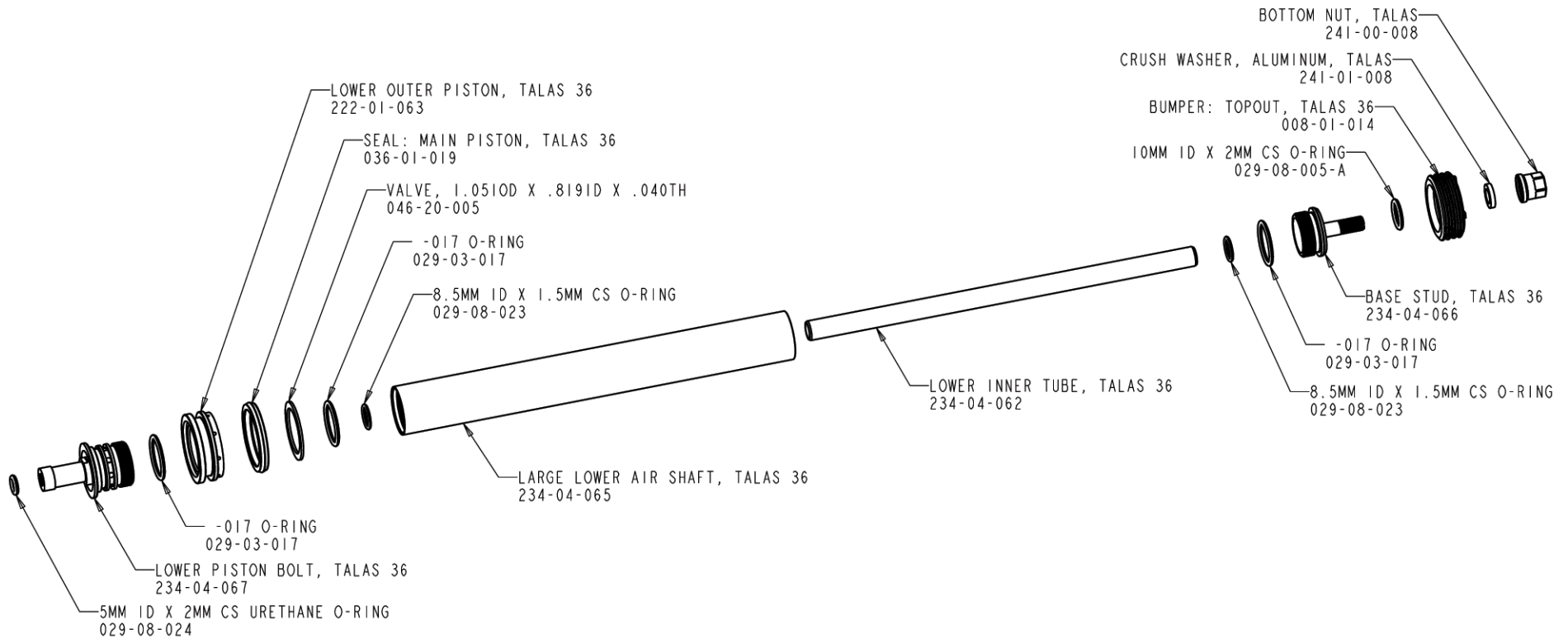


PROPRIETARY  
 THIS DOCUMENT CONTAINS CONFIDENTIAL, PROPRIETARY INFORMATION  
 THAT IS FOX PROPERTY. DO NOT DISCLOSE TO OR DUPLICATE  
 FOR OTHERS EXCEPT AS AUTHORIZED BY FOX.

REVISIONS				
ZONE	REV	DESCRIPTION	DATE	APPROVED
	A	RELEASE FOR PRODUCTION	06OCT04	



NOTE: ORDER AS COMPLETE UNIT 820-02-017  
 TALAS 1 150 MM TRAVEL

REFER TO PARTS LIST FOR SMALL AVAILABLE  
 PARTS

ITEM NO.	QTY.	PART NUMBER	DESCRIPTION	MATERIAL SPEC.
UNLESS OTHERWISE SPECIFIED DIMENSIONS ARE IN INCHES			PER ANSI Y14.5M 1994	
TOLERANCES ARE:			APPROVALS	DATE
DECIMALS .XX ± .01			DWN. B. BECKER	02AUG04
ANGLES ± 1°			CHK. BY B. BECKER	06OCT04
.XXX ± .005			ENG. B. BECKER	02AUG04
THIRD ANGLE PROJECTION			WFG.	
			ADD.	
			SIZE C	PART NO. 820-02-017
			PLOT SCALE 0.75:1	SHEET 1 OF 1

**FOX Factory, Inc.**  
 130 Hanger Way, Watsonville, CA 94076 USA, Ph 831-768-1100, Fax 831-768-9312

SPRING SUB-GROUP:  
 LOWER AIR SHAFT, TALAS 36