

REVISIONS				
ZONE	REV	DESCRIPTION	DATE	APPROVED
	A	RELEASE FOR PRODUCTION	12 MAR 08	
	B	ADDED GREASE TO OUTSIDE OF -012 O-RING ON AIR KNOB. ADDED TORQUES TO FERRULE NUTS.	27 MAY 08	

018-01-032
Fastener, Standard: Screw [#1-72 X 3/8 TLG] 18-8 SS, Socket Head Cap Screw

038-00-041
Retaining Ring: Internal, Smalley WH-93, 302 Stainless Steel

010-01-011
Air Valve Parts: Ball [Ø 0.06300] 52100 Grade 25 Steel, Chrome

LOCTITE:
PURPLE 222 MS
1 DROP

GREASE:
THIN FILM OF
SLICK HONEY

GREASE:
GREASE BALL
C-BORES

GREASE:
GREASE SPLINE AND
ALL CAM SURFACES

TORQUE:
3 IN-LB

010-01-011
Air Valve Parts: Ball [Ø 0.06300] 52100 Grade 25 Steel, Chrome

210-22-230
DETENT ADJUSTER, TALAS III

210-22-290
210-22-290.PRT

029-03-008
O-Ring (-008) [Ø.070 C.S. X .176 ID]

029-03-012
O-Ring (-012) [Ø.070 C.S. X .364 ID]

234-04-142
KNOB, AIR TALAS III

018-01-032
Fastener, Standard: Screw [#1-72 X 3/8 TLG] 18-8 SS, Socket Head Cap Screw

234-04-156
VOLUME SPACER, 09 32 150 TALAS III

029-03-021
O-Ring (-021) [Ø.070 C.S. X .926 ID]

TORQUE:
50±2 IN.LB

LOCTITE:
BLUE 242
1 DROP

TORQUE:
50±2 IN.LB



GREASE:
GREASE SPLINE AND
O-RING C-BORE

LOCTITE:
BLUE 242
1 DROP

039-00-130
SPRING: LOWER ADJUSTER, TALAS III

32 150 SHEET 1

QTY	PART NUMBER	DESCRIPTION
2	010-01-011	Air Valve Parts: Ball [Ø 0.06300] 52100 Grade 25 Steel, Chrome
2	018-01-032	Fastener, Standard: Screw [#1-72 X 3/8 TLG] 18-8 SS, Socket Head Cap Screw
1	029-03-008	O-Ring (-008) [Ø.070 C.S. X .176 ID]
1	029-03-012	O-Ring (-012) [Ø.070 C.S. X .364 ID]
1	029-03-021	O-Ring (-021) [Ø.070 C.S. X .926 ID]
1	038-00-041	Retaining Ring: Internal, Smalley WH-93, 302 Stainless Steel
1	039-00-130	SPRING: LOWER ADJUSTER, TALAS III
1	210-22-230	DETENT ADJUSTER, TALAS III
1	210-22-290	210-22-290.PRT
1	234-04-142	KNOB, AIR TALAS III
1	234-04-156	VOLUME SPACER, 09 32 150 TALAS III

UNLESS OTHERWISE SPECIFIED DIMENSIONS ARE IN: INCHES (MM)		PER ASME Y14.5M 1994		 FOX Factory, Inc. <small>130 Hongar Way, Watsonville, CA 95076 USA Ph 831-768-1100 Fax 831-768-9312</small>	
TOLERANCES ARE:		APPROVALS		DATE	
DECIMALS	ANGLES	DWN. BY	E LINDSLEY	12 MAR 08	TITLE
.XX (.X) ± .01 (0.25)	± 1°	CHK. BY	P HAMMERSTROM	12 MAR 08	09 32 150 TALAS III
.XXX (.XX) ± .005 (0.13)		ENG.	P HAMMERSTROM	12 MAR 08	TOPCAP ASSEMBLY
THIRD ANGLE PROJECTION		MFG.		SIZE	
		D BEICH		C	
DO NOT SCALE DRAWING		ADD.		DWG. NO.	
				820-05-072	
				PLOT SCALE: .70:1	
				SHEET 1 OF 4	

PROPRIETARY -
THIS DOCUMENT CONTAINS CONFIDENTIAL, PROPRIETARY INFORMATION
THAT IS FOX PROPERTY. DO NOT DISCLOSE TO OR DUPLICATE
FOR OTHERS EXCEPT AS AUTHORIZED BY FOX.

4

3

2

1

D

D

C

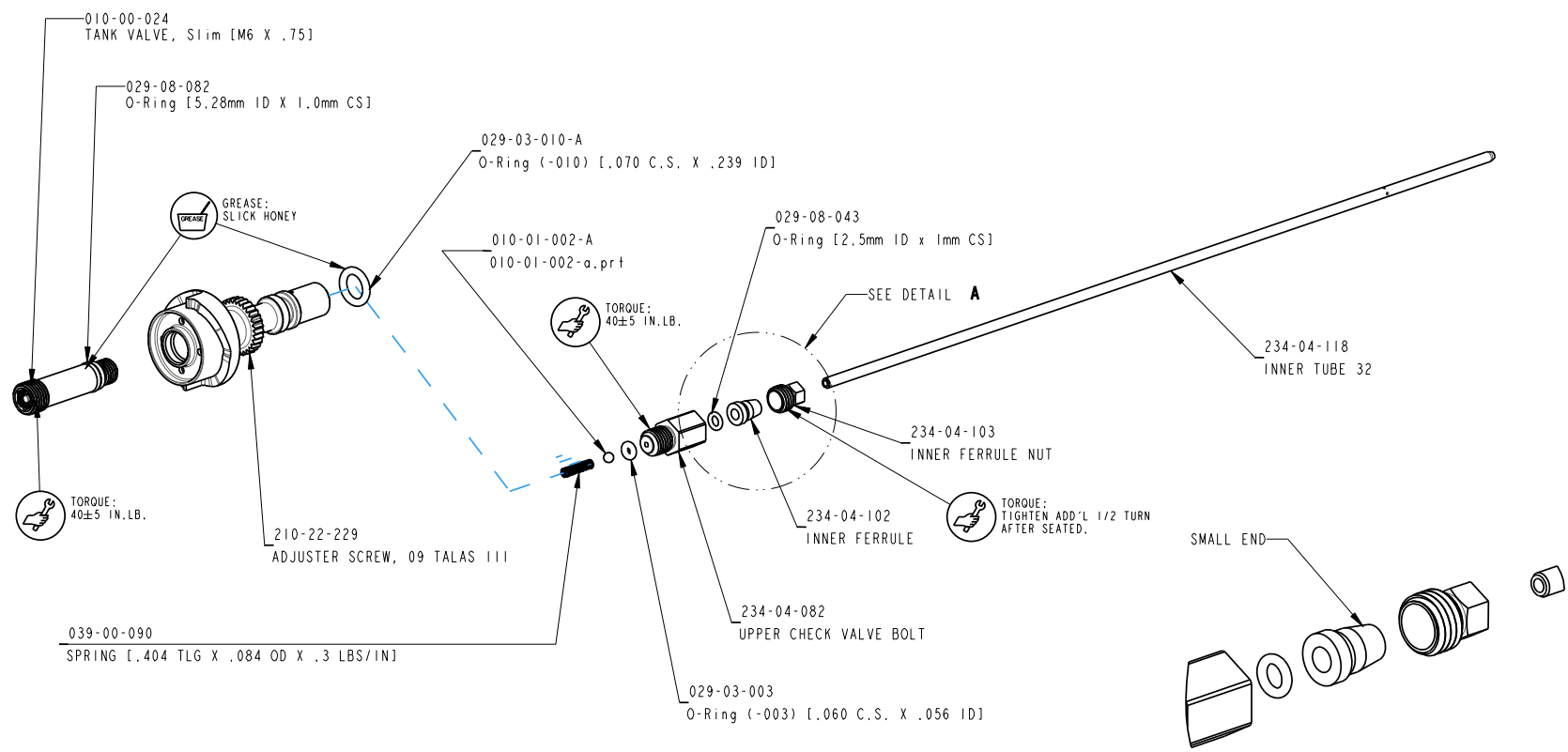
C

B

B

A

A



DETAIL A
SCALE 3:1

32 150 SHEET 2

I	010-01-002-A	010-01-002-a.prt
I	029-03-003	O-Ring (-003) [.060 C.S. X .056 ID]
I	029-03-010-A	O-Ring (-010) [.070 C.S. X .239 ID]
I	029-08-043	O-Ring [2.5mm ID x 1mm CS]
I	039-00-090	SPRING [.404 TLG X .084 OD X .3 LBS/IN]
I	210-22-229	ADJUSTER SCREW, 09 TALAS III
I	234-04-082	UPPER CHECK VALVE BOLT
I	234-04-102	INNER FERRULE
I	234-04-103	INNER FERRULE NUT
I	234-04-118	INNER TUBE 32
I	802-00-007	Air Valve Assy: Slim [M6 X .75, 1.150 TLG]

THIS DOCUMENT CONTAINS PROPRIETARY INFORMATION THAT IS FOX PROPERTY. DO NOT DISCLOSE TO OR DUPLICATE FOR OTHERS EXCEPT AS AUTHORIZED BY FOX.

SIZE C	DWG. NO. 820-05-072	REV. B
PLOT SCALE 1:25:1 SHEET		2 OF 4

4

3

2

1

4

3

2

1

D

D

C

C

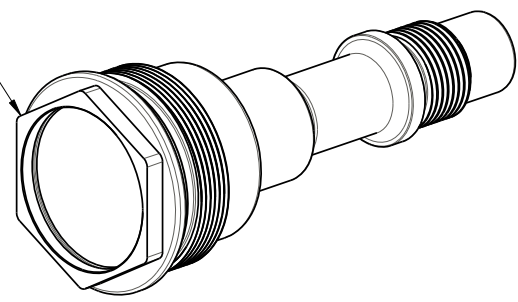
B

B

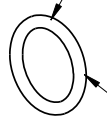
A

A

234-04-137
TOPCAP, 09 32 TALAS III



GREASE:
THIN FILM OF
SLICK HONEY



029-03-013
O-Ring (-013) [.070 C.S. X .426 ID]

QTY	PART NUMBER	DESCRIPTION
1	029-03-013	O-Ring (-013) [.070 C.S. X .426 ID]
1	234-04-137	TOPCAP, 09 32 TALAS III

32 150 SHEET 4

THIS DOCUMENT CONTAINS CONFIDENTIAL, PROPRIETARY INFORMATION THAT IS FOX PROPERTY. DO NOT DISCLOSE TO OR DUPLICATE FOR OTHERS EXCEPT AS AUTHORIZED BY FOX.

SIZE C	DWG. NO. 820-05-072	REV. B
PLOT SCALE 2.00:1 SHEET		4 OF 4

4

3

2

1