

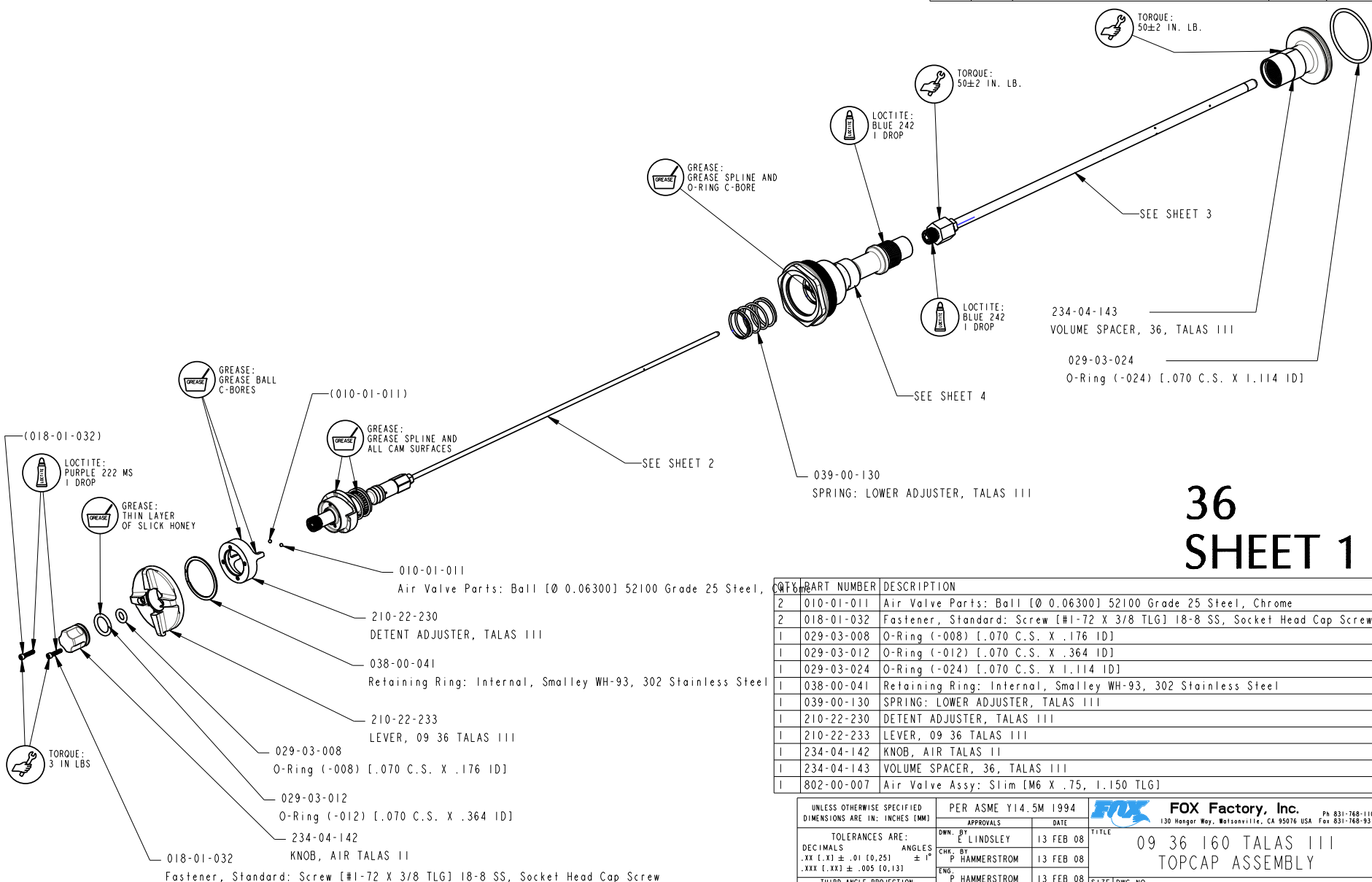
4

3

2

1

REVISIONS				
ZONE	REV	DESCRIPTION	DATE	APPROVED
	A	RELEASE FOR PRODUCTION	13 FEB 08	
	B	ADDED -.008 O-RING FOR AIR KNOB. ADDED GREASE TO OUTSIDE OF -.012 O-RING ON AIR KNOB. ADDED TORQUES TO FERRULE NUTS.	27 MAY 08	



# 36 SHEET 1

QTY	PART NUMBER	DESCRIPTION
2	010-01-011	Air Valve Parts: Ball [Ø 0.06300] 52100 Grade 25 Steel, Chrome
2	018-01-032	Fastener, Standard: Screw [#1-72 X 3/8 TLG] 18-8 SS, Socket Head Cap Screw
1	029-03-008	O-Ring (-008) [.070 C.S. X .176 ID]
1	029-03-012	O-Ring (-012) [.070 C.S. X .364 ID]
1	029-03-024	O-Ring (-024) [.070 C.S. X 1.114 ID]
1	038-00-041	Retaining Ring: Internal, Smalley WH-93, 302 Stainless Steel
1	039-00-130	SPRING: LOWER ADJUSTER, TALAS III
1	210-22-230	DETENT ADJUSTER, TALAS III
1	210-22-233	LEVER, 09 36 TALAS III
1	234-04-142	KNOB, AIR TALAS II
1	234-04-143	VOLUME SPACER, 36, TALAS III
1	802-00-007	Air Valve Assy: Slim [M6 X .75, 1.150 TLG]

UNLESS OTHERWISE SPECIFIED DIMENSIONS ARE IN: INCHES (MM)	PER ASME Y14.5M 1994	<b>FOX Factory, Inc.</b> 130 Hongar Way, Watsonville, CA 95076 USA Fax 831-768-9312
TOLERANCES ARE: DECIMALS .XX (.X) ± .01 (0.25) ± 1° .XXX (.XX) ± .005 (0.13)	APPROVALS DWN. BY E LINDSLEY 13 FEB 08 CHK. BY P HAMMERSTROM 13 FEB 08 ENG. P HAMMERSTROM 13 FEB 08	TITLE 09 36 160 TALAS III TOPCAP ASSEMBLY
THIRD ANGLE PROJECTION	MFG. ADD. D BEICH 13 FEB 08	SIZE DWG. NO. C 820-05-052
DO NOT SCALE DRAWING		PLOT SCALED: .70:1 SHEET 1 OF 4

PROPRIETARY - THIS DOCUMENT CONTAINS CONFIDENTIAL, PROPRIETARY INFORMATION THAT IS FOX PROPERTY. DO NOT DISCLOSE TO OR DUPLICATE FOR OTHERS EXCEPT AS AUTHORIZED BY FOX.

4

3

2

ProE ASSEM

4

3

2

1

D

C

B

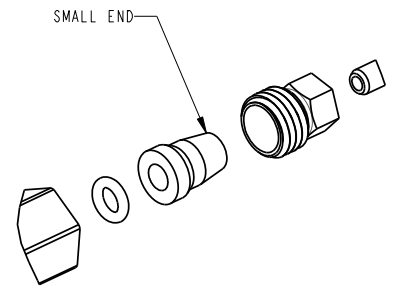
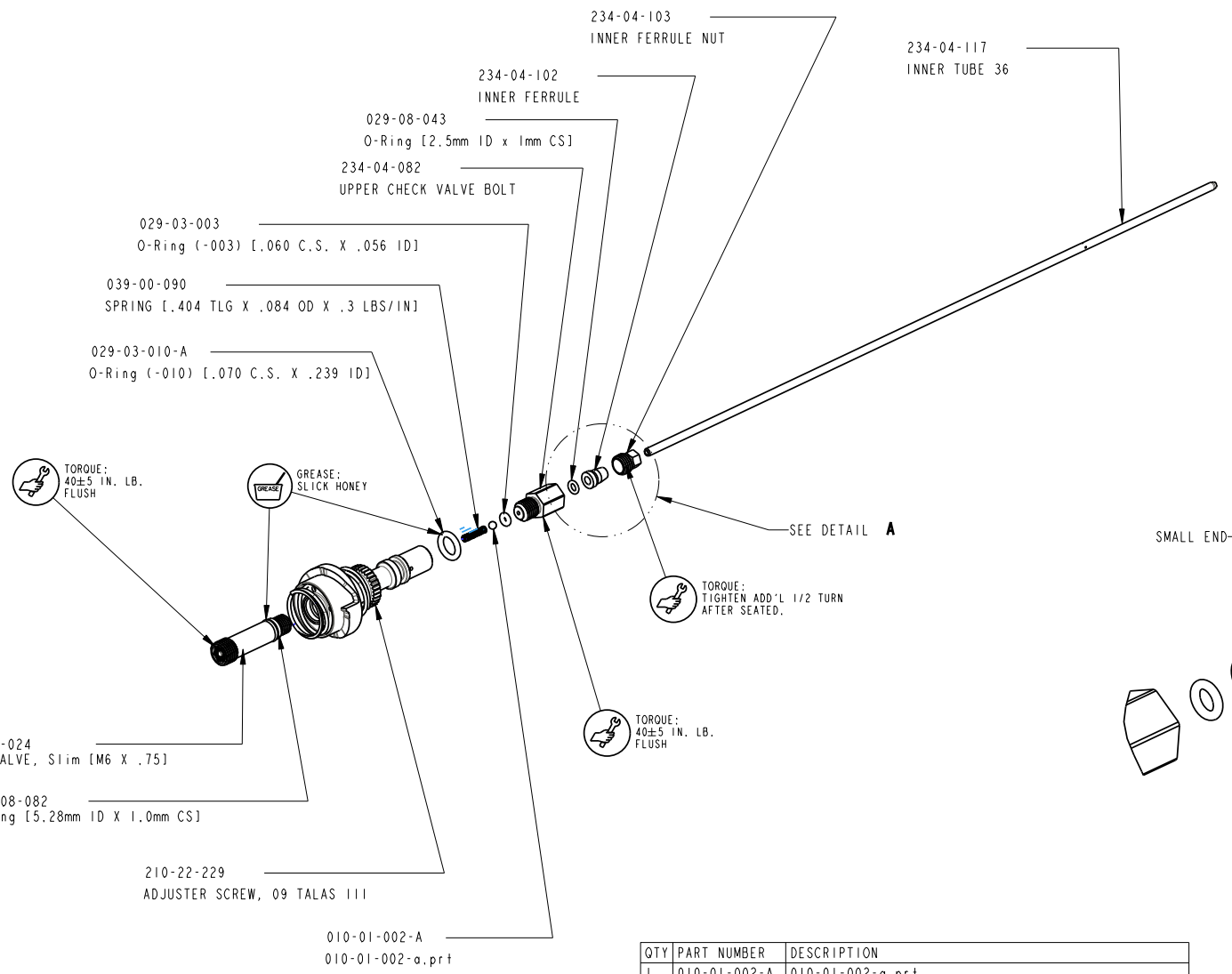
A

D

C

B

A



DETAIL A  
SCALE 3:1

QTY	PART NUMBER	DESCRIPTION
1	010-01-002-A	010-01-002-a.prt
1	029-03-003	O-Ring (-003) [.060 C.S. X .056 ID]
1	029-03-010-A	O-Ring (-010) [.070 C.S. X .239 ID]
1	029-08-043	O-Ring [2.5mm ID x 1mm CS]
1	039-00-090	SPRING [.404 TLG X .084 OD X .3 LBS/IN]
1	039-00-130	SPRING: LOWER ADJUSTER, TALAS III
1	210-22-229	ADJUSTER SCREW, 09 TALAS III
1	234-04-082	UPPER CHECK VALVE BOLT
1	234-04-102	INNER FERRULE
1	234-04-103	INNER FERRULE NUT
1	234-04-117	INNER TUBE 36
1	802-00-007	Air Valve Assy: Slim [M6 X .75, 1.150 TLG]

# 36 SHEET 2

THIS DOCUMENT CONTAINS PROPRIETARY INFORMATION THAT IS FOX PROPERTY. DO NOT DISCLOSE TO OR DUPLICATE FOR OTHERS EXCEPT AS AUTHORIZED BY FOX.

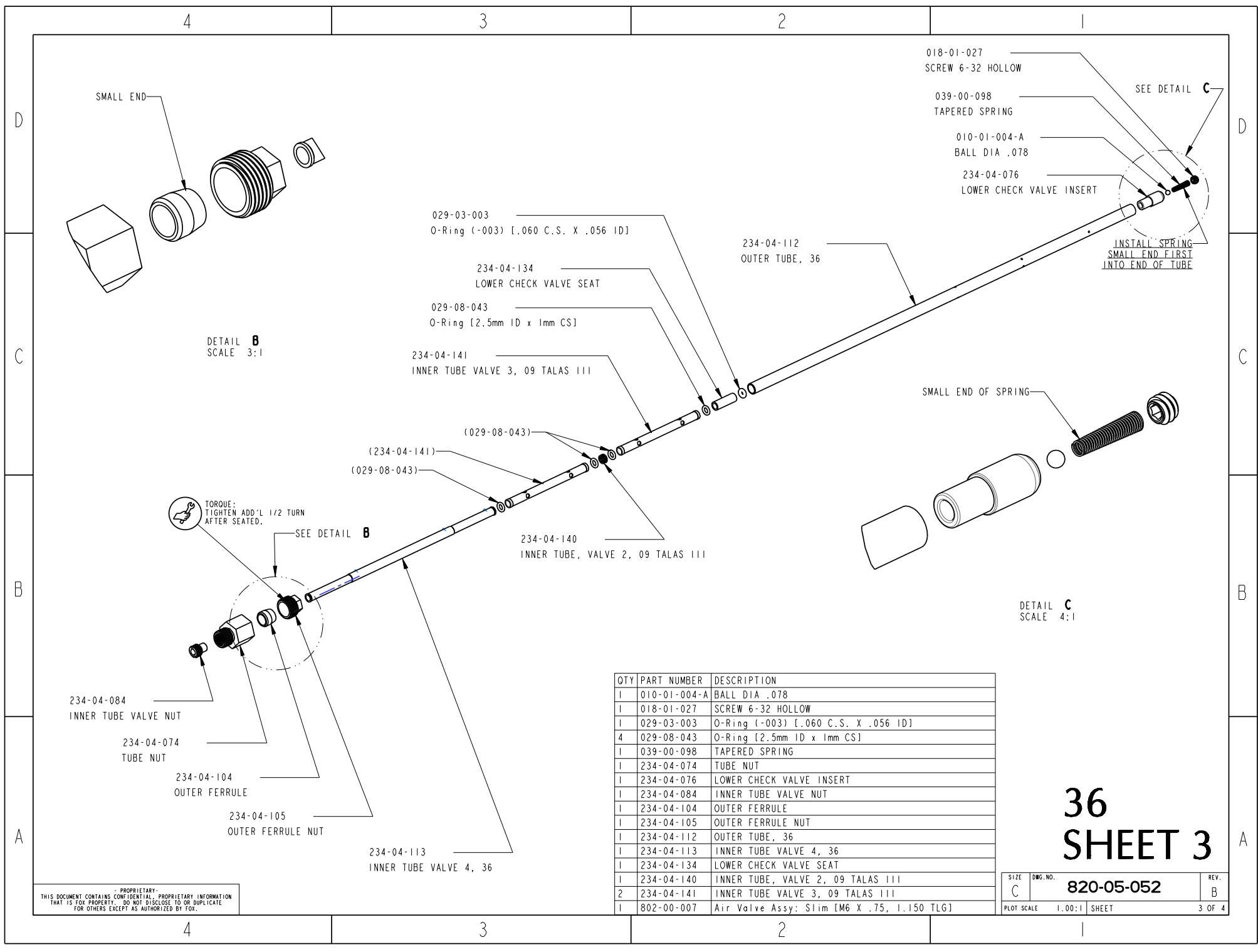
SIZE C	DWG. NO. 820-05-052	REV. B
PLOT SCALE 1:00:1 SHEET		2 OF 4

4

3

2

1



DETAIL B  
SCALE 3:1

DETAIL C  
SCALE 4:1

QTY	PART NUMBER	DESCRIPTION
1	010-01-004-A	BALL DIA .078
1	018-01-027	SCREW 6-32 HOLLOW
1	029-03-003	O-Ring (-003) [.060 C.S. X .056 ID]
4	029-08-043	O-Ring [2.5mm ID x 1mm CS]
1	039-00-098	TAPERED SPRING
1	234-04-074	TUBE NUT
1	234-04-076	LOWER CHECK VALVE INSERT
1	234-04-084	INNER TUBE VALVE NUT
1	234-04-104	OUTER FERRULE
1	234-04-105	OUTER FERRULE NUT
1	234-04-112	OUTER TUBE, 36
1	234-04-113	INNER TUBE VALVE 4, 36
1	234-04-134	LOWER CHECK VALVE SEAT
1	234-04-140	INNER TUBE, VALVE 2, 09 TALAS III
2	234-04-141	INNER TUBE VALVE 3, 09 TALAS III
1	802-00-007	Air Valve Assy: Slim [M6 X .75, 1.150 TLG]

# 36 SHEET 3

THIS DOCUMENT CONTAINS PROPRIETARY INFORMATION THAT IS FOX PROPERTY. DO NOT DISCLOSE TO OR DUPLICATE FOR OTHERS EXCEPT AS AUTHORIZED BY FOX.

SIZE C	DWG. NO. 820-05-052	REV. B
PLOT SCALE 1.00:1 SHEET		3 OF 4

4

3

2

1

D

D

C

C

B

B

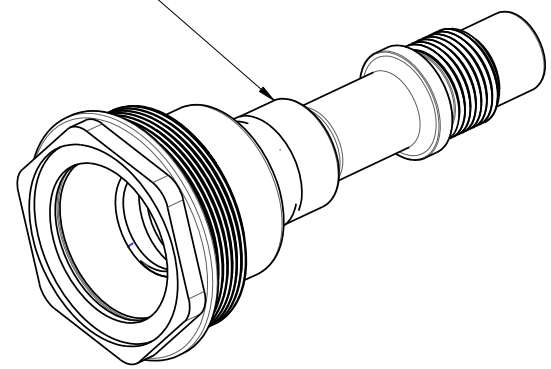
A

A

029-03-013  
O-Ring (-013) [ .070 C.S. X .426 ID]

GREASE:  
THIN LAYER  
OF SLICK HONEY

234-04-144  
TOPCAP, TALAS II 36



# 36 SHEET 4

QTY	PART NUMBER	DESCRIPTION
1	029-03-013	O-Ring (-013) [ .070 C.S. X .426 ID]
1	039-00-130	SPRING: LOWER ADJUSTER, TALAS III
1	234-04-144	TOPCAP, TALAS II 36

SIZE C	DWG. NO. 820-05-052	REV. B
PLOT SCALE 2.00:1 SHEET		4 OF 4

THIS DOCUMENT CONTAINS PROPRIETARY INFORMATION THAT IS FOX PROPERTY. DO NOT DISCLOSE TO OR DUPLICATE FOR OTHERS EXCEPT AS AUTHORIZED BY FOX.

4

3

2

1