

4

3

2

1

— PROPRIETARY —
THIS DOCUMENT CONTAINS CONFIDENTIAL, PROPRIETARY INFORMATION
THAT IS FOX PROPERTY. DO NOT DISCLOSE TO OR DUPLICATE
FOR OTHERS EXCEPT AS AUTHORIZED BY FOX.

REVISIONS				
ZONE	REV	DESCRIPTION	DATE	APPROVED
	A	RELEASE FOR PRODUCTION	15MAR06	ART

D

C

B

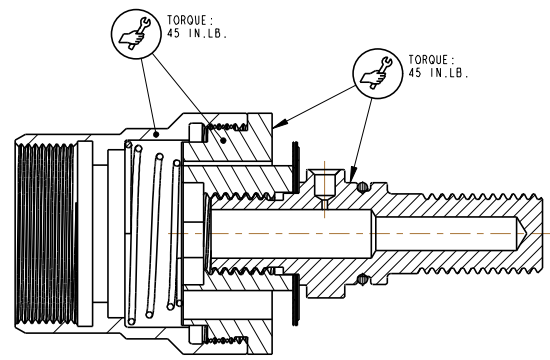
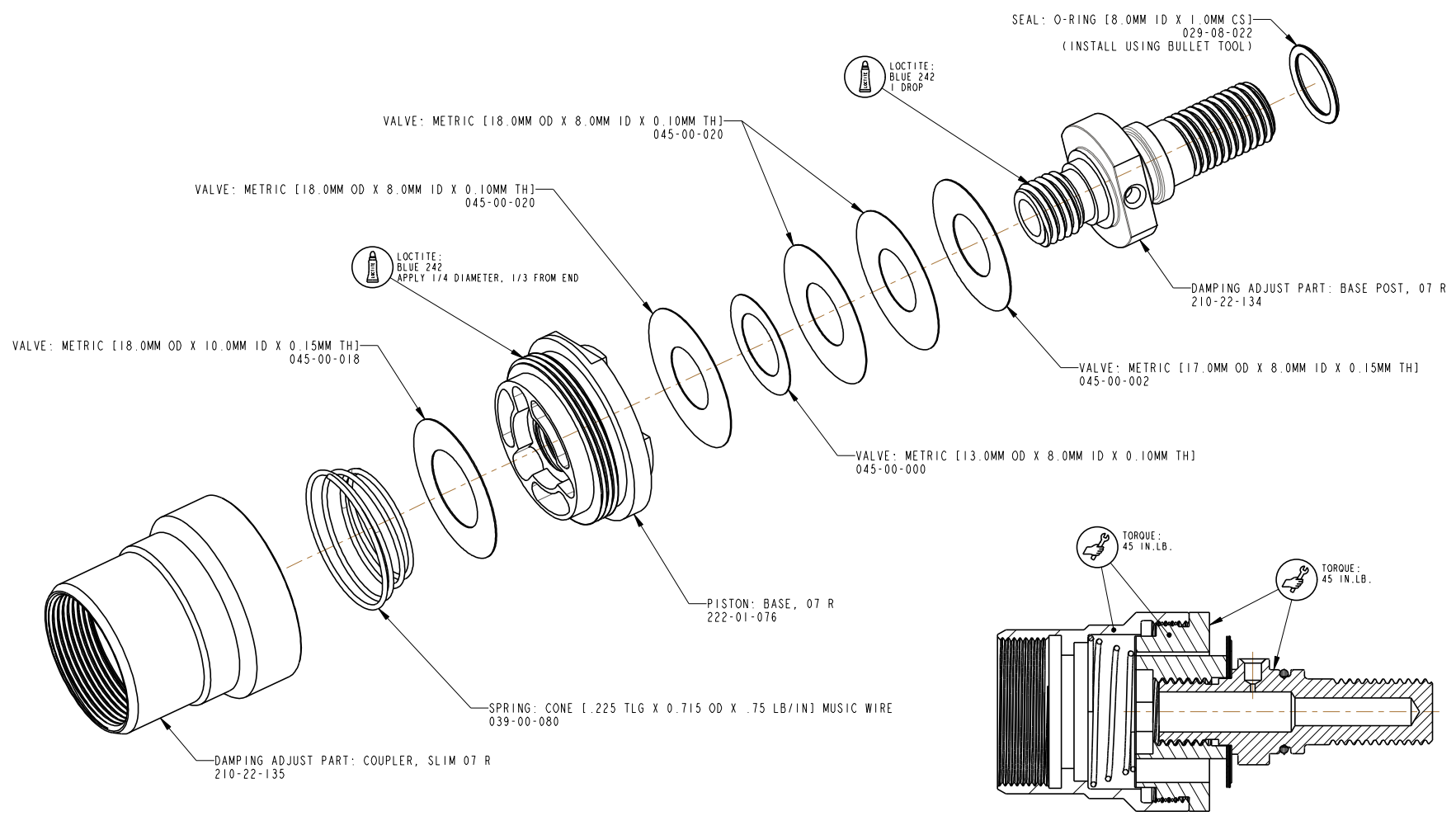
A

D

C

B

A



ASSEMBLY INSTRUCTIONS:

- PLACE "COUPLER" (210-22-135) IN SHAFT CLAMPS VERTICALLY WITH LARGE DIAMETER UP. CAREFULLY INSTALL "CONE SPRING" (039-00-080) INTO COUPLER WITH LARGE OD OF "CONE SPRING" (039-00-080) ENTERING FIRST. INSTALL "VALVE SHIM" (045-00-018). CAREFULLY APPLY ONE DROP OF BLUE 242 LOCTITE ON THE LARGE OD THREADS OF THE "BASE PISTON" (222-01-076). CAREFULLY THREAD "BASE PISTON" (222-01-076) INTO "COUPLER" (210-22-135) AND TORQUE TO 45 IN.-LB. CHECK THAT THE "VALVE SHIM" (045-00-018) IS SEATED AND NOT PINCHED. THE VALVE SHOULD BE ABLE TO MOVE FREELY AGAINST THE "CONE SPRING" (039-00-080).
- USING A BULLET TOOL, INSTALL THE EXTERNAL "8MM ID X 1MM CS O-RING" (029-08-022) IN THE GROOVE ON THE SPUD OF THE "BASE POST" (210-22-134). WITH THE "BASE POST" (210-22-134) STANDING VERTICALLY, WITH THE SPUD FACING DOWN, CAREFULLY INSTALL VALVE SHIMS IN THE FOLLOWING ORDER: (1X) 045-00-002, (2X) 045-00-020, (1X) 045-00-000, (1X) 045-00-020. CAREFULLY APPLY ONE DROP OF BLUE 242 LOCTITE ON THE SHORT THREAD END OF THE "BASE POST" (210-22-134). CAREFULLY THREAD THE "BASE PISTON" (222-01-076) ONTO THE "BASE POST" (210-22-134) AND TORQUE TO 45 IN.-LB.

ITEM NO.	QTY	PART NUMBER	DESCRIPTION	MATERIAL SPEC												
UNLESS OTHERWISE SPECIFIED		PER ASME Y14.5M 1994														
DIMENSIONS ARE IN INCHES [MM]		130 Hanger Way, Watsonville, CA 94076 USA, Ph 831-768-1100, Fax 831-768-9312														
TOLERANCES ARE:		<table border="1"> <tr> <td>DECIMALS</td> <td>ANGLES</td> <td>APPROVALS</td> <td>DATE</td> </tr> <tr> <td>.XX (.XX) ± .01 [0.25] ± .1°</td> <td></td> <td>DWN BY: A. GARIBAY</td> <td>14SEP05</td> </tr> <tr> <td>.XXX (.XX) ± .005 [0.13]</td> <td></td> <td>CHK. BY: B. BECKER</td> <td>05MAR06</td> </tr> </table>			DECIMALS	ANGLES	APPROVALS	DATE	.XX (.XX) ± .01 [0.25] ± .1°		DWN BY: A. GARIBAY	14SEP05	.XXX (.XX) ± .005 [0.13]		CHK. BY: B. BECKER	05MAR06
DECIMALS	ANGLES	APPROVALS	DATE													
.XX (.XX) ± .01 [0.25] ± .1°		DWN BY: A. GARIBAY	14SEP05													
.XXX (.XX) ± .005 [0.13]		CHK. BY: B. BECKER	05MAR06													
THIRD ANGLE PROJECTION		<table border="1"> <tr> <td>ENG.:</td> <td>A. TRUJILLO</td> <td>14SEP05</td> <td>SIZE</td> </tr> <tr> <td>MFG.:</td> <td>D. BEICH</td> <td>05MAR06</td> <td>C</td> </tr> <tr> <td>ADD.:</td> <td></td> <td></td> <td></td> </tr> </table>			ENG.:	A. TRUJILLO	14SEP05	SIZE	MFG.:	D. BEICH	05MAR06	C	ADD.:			
ENG.:	A. TRUJILLO	14SEP05	SIZE													
MFG.:	D. BEICH	05MAR06	C													
ADD.:																
FOX Factory, Inc.		SUB-GROUP: BASE VALVE, 07 R														
		PART NO. 820-05-027														
		PLOT SCALE 3:1														
		SHEET 1 OF 1														

4

3

2

1