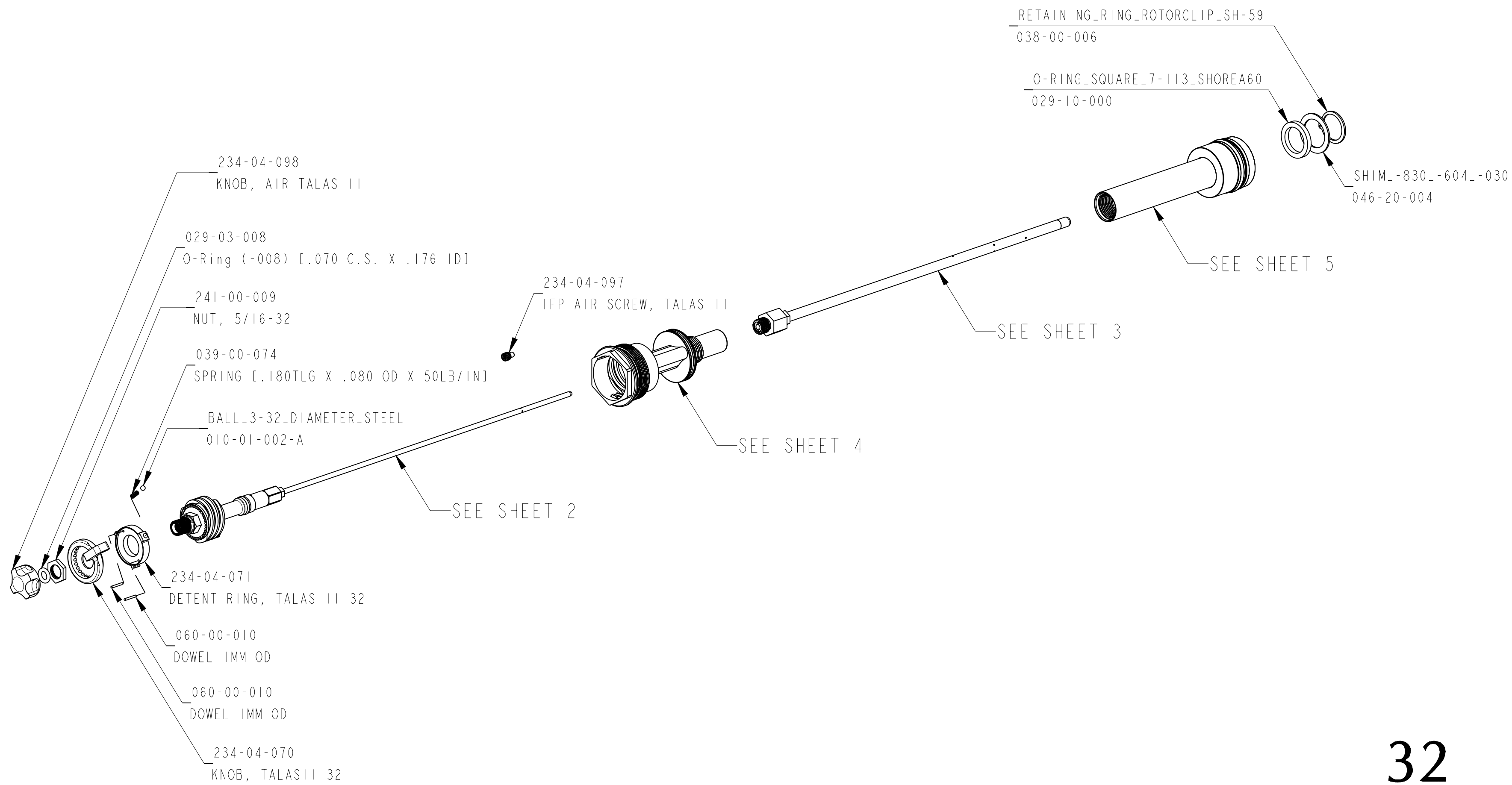


— PROPRIETARY —  
 THIS DOCUMENT CONTAINS CONFIDENTIAL, PROPRIETARY INFORMATION  
 THAT IS FOX PROPERTY. DO NOT DISCLOSE TO OR DUPLICATE  
 FOR OTHERS EXCEPT AS AUTHORIZED BY FOX.

REVISIONS				
ZONE	REV	DESCRIPTION	DATE	APPROVED
	-	-	-	-



# 32 SHEET 1

1	O-RING_SQUARE_7-113_SHOREA60	029-10-000
1	RETAINING_RING_ROTORCLIP_SH-59	038-00-006
1	SHIM_-830_-604_-030	046-20-004
1	029-03-008	O-Ring (-008) [.070 C.S. X .176 ID]
1	039-00-074	SPRING [.180TLG X .080 OD X 50LB/IN]
2	060-00-010	DOWEL IMM OD
1	234-04-070	KNOB, TALASII 32
1	234-04-071	DETENT RING, TALAS II 32
1	234-04-097	IFP AIR SCREW, TALAS II
1	234-04-098	KNOB, AIR TALAS II
1	241-00-009	NUT, 5/16-32
1	BALL_3-32_DIAMETER_STEEL	010-01-002-A

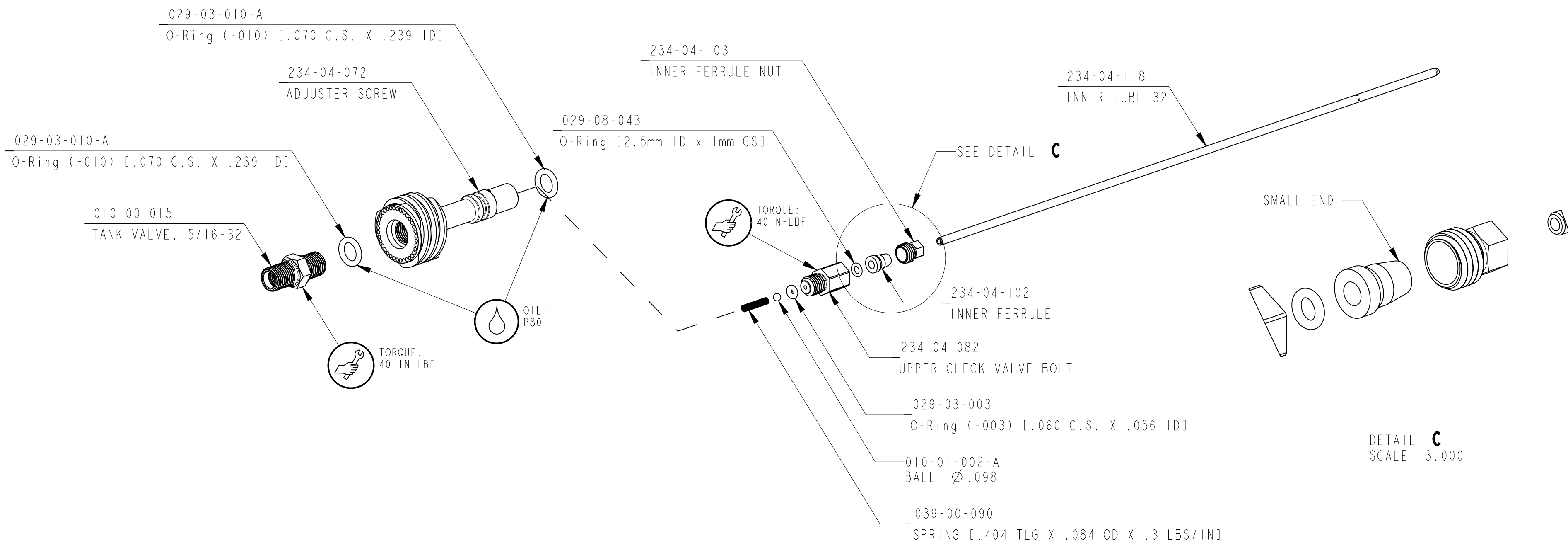
ITEM NO.	QTY.	PART NUMBER	DESCRIPTION	MATERIAL SPEC
UNLESS OTHERWISE SPECIFIED DIMENSIONS ARE IN INCHES [MM]		PER ASME Y14.5M 1994		
TOLERANCES ARE:		APPROVALS		
DECIMALS	ANGLES	DWN. BY	DATE	FOX Factory, Inc. 130 Hangar Way, Watsonville, CA 95076 USA, Ph 831-768-1100, Fax 831-768-9312
.XX [.X] ± .01 [0,25]	± 1°	D. BEICH	-	
.XXX [.XX] ± .005 [0,13]		CHK. BY		
THIRD ANGLE PROJECTION		ENG.		
		P. HAMMERSTROM		SIZE
		MFG.		C
ADD.				PART NO.
				820-02-018
			PLOT SCALE 0.600	SHEET 1 OF 8

4

3

2

1



1	010-00-015	TANK VALVE, 5/16-32
1	010-01-002-A	
1	029-03-003	O-Ring (-003) [.060 C.S. X .056 ID]
2	029-03-010-A	O-Ring (-010) [.070 C.S. X .239 ID]
1	029-08-043	O-Ring [2.5mm ID x 1mm CS]
1	039-00-090	SPRING [.404 TLG X .084 OD X .3 LBS/IN]
1	234-04-072	ADJUSTER SCREW
1	234-04-082	UPPER CHECK VALVE BOLT
1	234-04-102	INNER FERRULE
1	234-04-103	INNER FERRULE NUT
1	234-04-118	INNER TUBE 32

# 32 SHEET 2

— PROPRIETARY —  
THIS DOCUMENT CONTAINS CONFIDENTIAL, PROPRIETARY INFORMATION  
THAT IS FOX PROPERTY. DO NOT DISCLOSE OR DUPLICATE  
FOR OTHERS EXCEPT AS AUTHORIZED BY FOX

SIZE C	CAGE NO. NONE	DWG. NO. 820-02-018	REV. -
PLOT SCALE	0.500	INCHES	SHEET 2 OF 8

4

3

2

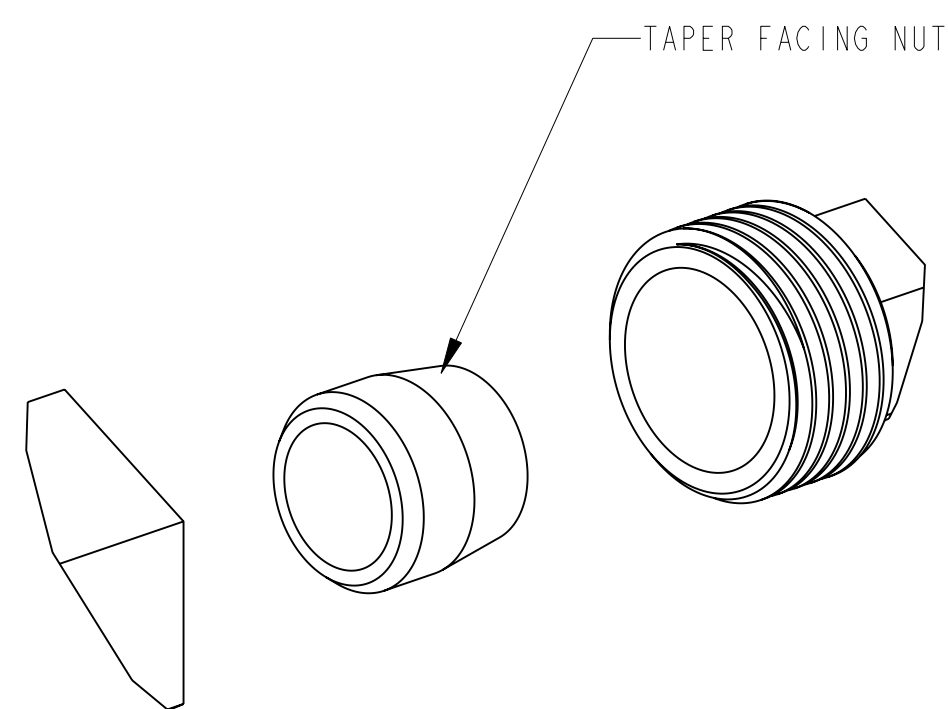
1

4

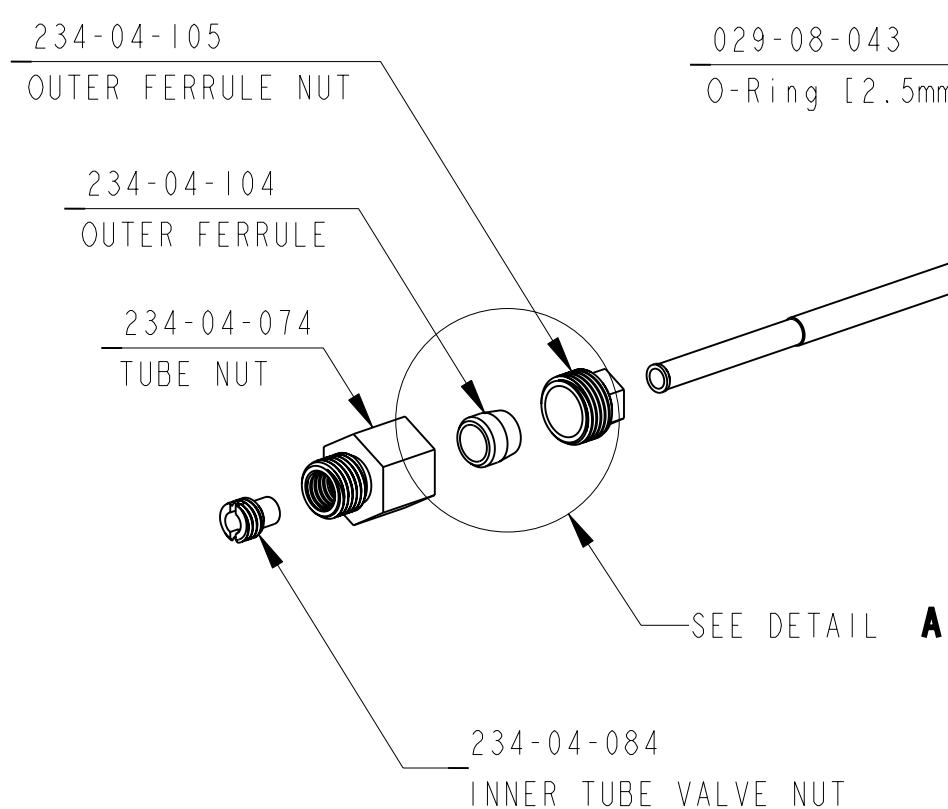
3

2

1



DETAIL **A**  
SCALE 4.000



029-08-043  
O-Ring [2.5mm ID x 1mm CS]

234-04-079  
INNER TUBE VALVE 2

029-08-043  
O-Ring [2.5mm ID x 1mm CS]

029-08-043  
O-Ring [2.5mm ID x 1mm CS]

234-04-116  
INNER TUBE VALVE 3

234-04-121  
INNER TUBE VALVE 4

234-04-114  
OUTER TUBE

029-03-003  
O-Ring (-003) [.060 C.S. X .056 ID]

234-04-134  
LOWER CHECK VALVE SEAT

029-08-043  
O-Ring [2.5mm ID x 1mm CS]

234-04-115  
INNER TUBE VALVE 1

018-01-027  
SCREW 6-32 HOLLOW

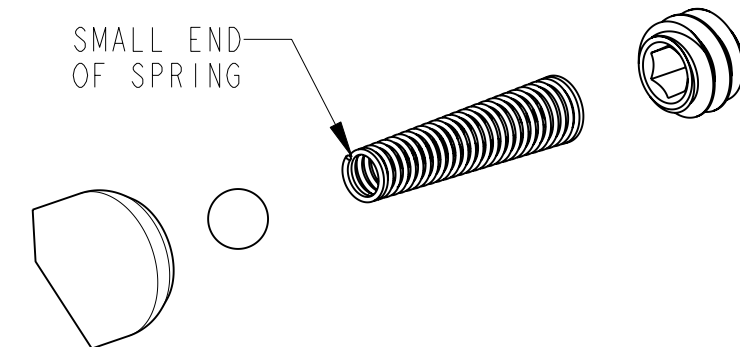
039-00-098  
TAPERED SPRING

010-01-004-A  
BALL DIA .078

234-04-076  
LOWER CHECK VALVE INSERT

INSTALL SPRING  
SMALL END FIRST  
INTO END OF TUBE

SEE DETAIL **B**



DETAIL **B**  
SCALE 4.000

1	010-01-004-A	BALL DIA .078
1	018-01-027	SCREW 6-32 HOLLOW
1	029-03-003	O-Ring (-003) [.060 C.S. X .056 ID]
4	029-08-043	O-Ring [2.5mm ID x 1mm CS]
1	039-00-098	TAPERED SPRING
1	234-04-074	TUBE NUT
1	234-04-076	LOWER CHECK VALVE INSERT
1	234-04-079	INNER TUBE VALVE 2
1	234-04-084	INNER TUBE VALVE NUT
1	234-04-104	OUTER FERRULE
1	234-04-105	OUTER FERRULE NUT
1	234-04-114	OUTER TUBE
1	234-04-115	INNER TUBE VALVE 1
1	234-04-116	INNER TUBE VALVE 3
1	234-04-121	INNER TUBE VALVE 4
1	234-04-134	LOWER CHECK VALVE SEAT

# 32 SHEET 3

— PROPRIETARY —  
THIS DOCUMENT CONTAINS CONFIDENTIAL, PROPRIETARY INFORMATION  
THAT IS FOX PROPERTY. DO NOT DISCLOSE OR DUPLICATE  
FOR OTHERS EXCEPT AS AUTHORIZED BY FOX

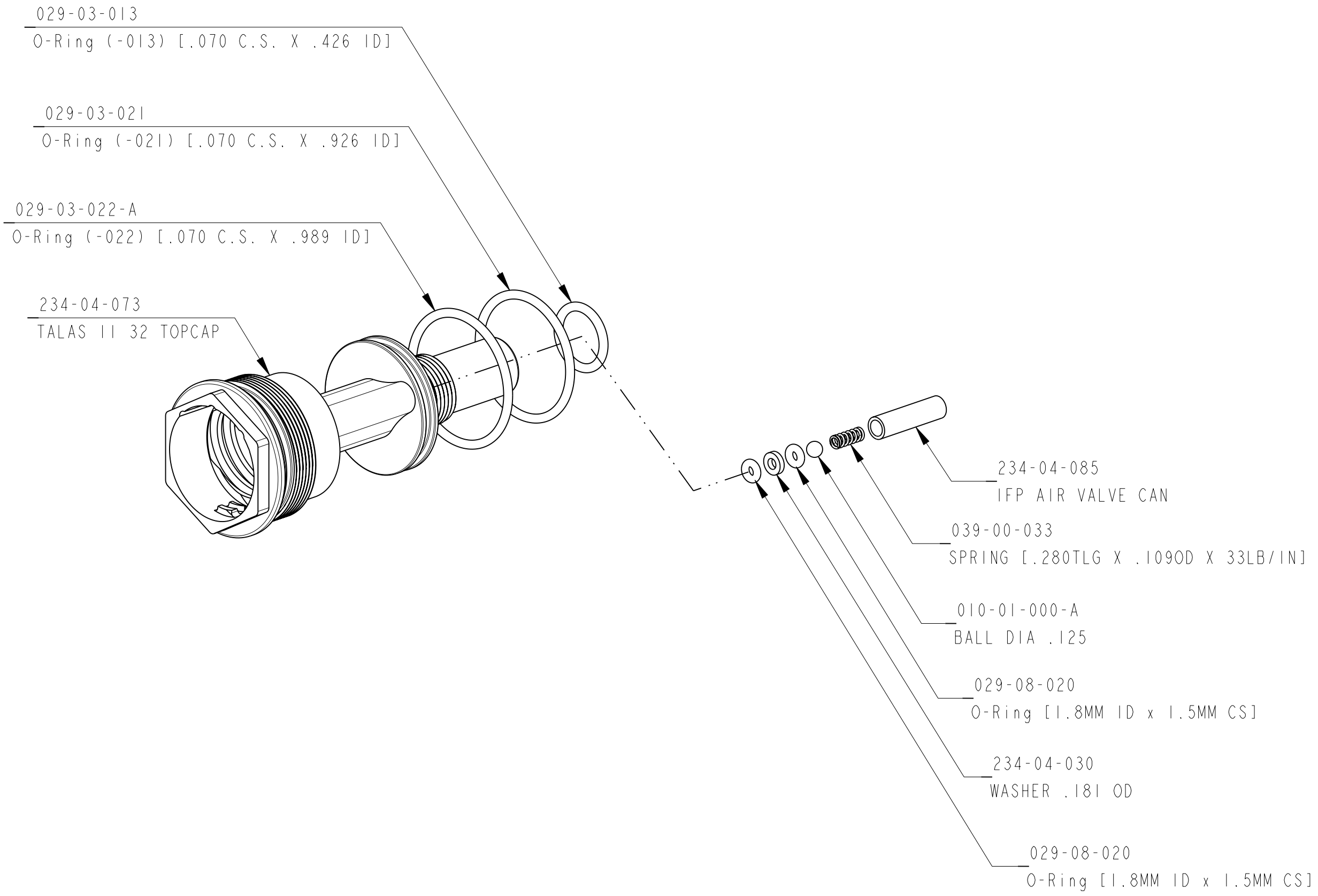
SIZE C	CAGE NO. NONE	DWG. NO. 820-02-018	REV. -
PLOT SCALE 0.600	INCHES	SHEET 3 OF 8	

4

3

2

1



1	010-01-000-A	BALL DIA .125
1	029-03-013	O-Ring (-013) [.070 C.S. X .426 ID]
1	029-03-021	O-Ring (-021) [.070 C.S. X .926 ID]
1	029-03-022-A	O-Ring (-022) [.070 C.S. X .989 ID]
2	029-08-020	O-Ring [1.8MM ID x 1.5MM CS]
1	039-00-033	SPRING [.280TLG X .109OD X 33LB/IN]
1	234-04-030	WASHER .181 OD
1	234-04-073	TALAS II 32 TOPCAP
1	234-04-085	IFP AIR VALVE CAN

# 32 SHEET 4

— PROPRIETARY —  
THIS DOCUMENT CONTAINS CONFIDENTIAL, PROPRIETARY INFORMATION  
THAT IS FOX PROPERTY. DO NOT DISCLOSE OR DUPLICATE  
FOR OTHERS EXCEPT AS AUTHORIZED BY FOX.

SIZE C	CAGE NO. NONE	DWG. NO. 820-02-018	REV.
PLOT SCALE 0.600 INCHES		SHEET 4 OF 8	

4

3

2

1

D

D

C

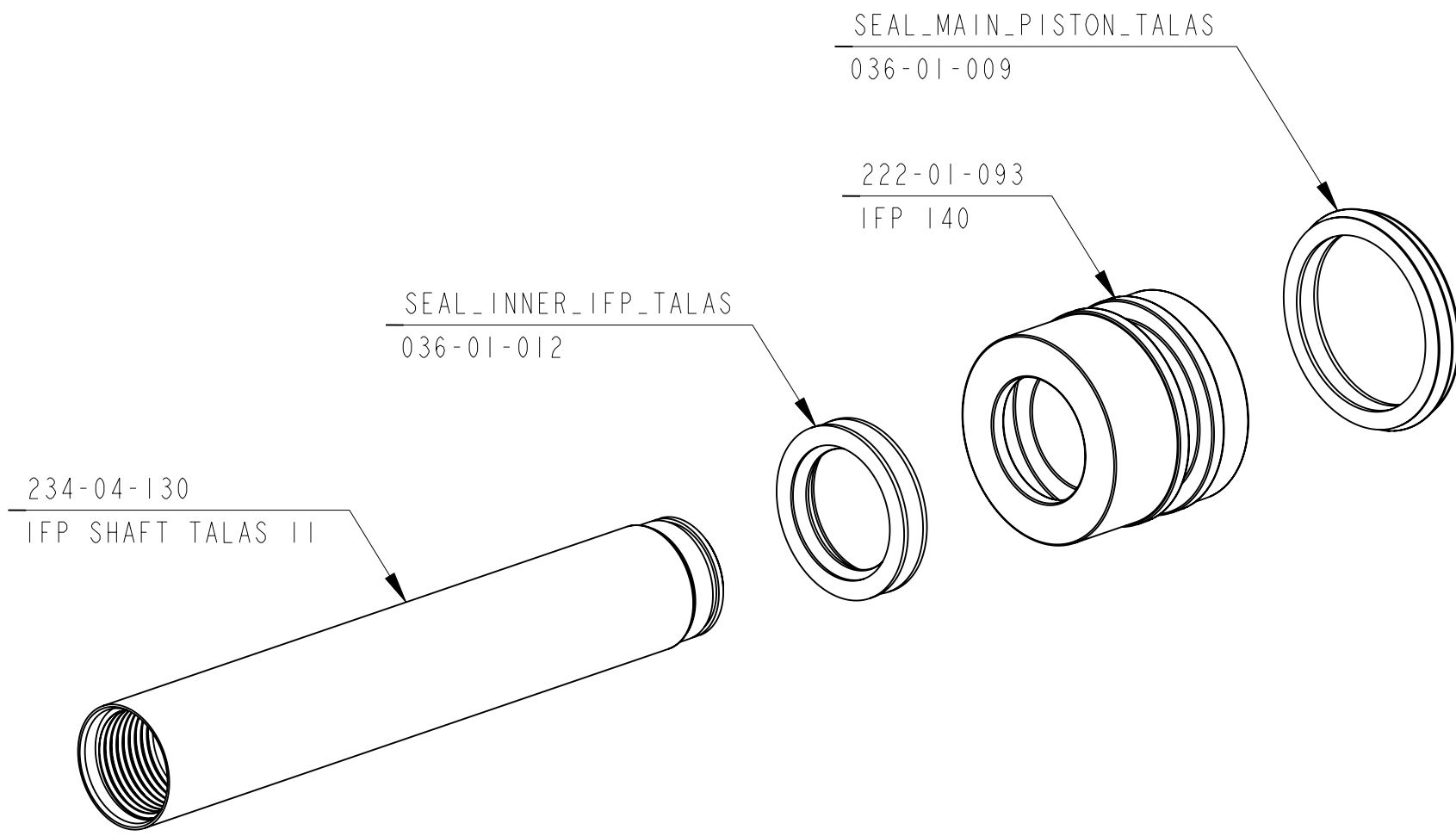
C

B

B

A

A



# 32 SHEET 5

I	222-01-093	IFP 140
I	234-04-130	IFP SHAFT TALAS II
I	SEAL_INNER_IFP_TALAS	036-01-012
I	SEAL_MAIN_PISTON_TALAS	036-01-009

— PROPRIETARY —  
THIS DOCUMENT CONTAINS CONFIDENTIAL, PROPRIETARY INFORMATION  
THAT IS FOX PROPERTY. DO NOT DISCLOSE OR DUPLICATE  
FOR OTHERS EXCEPT AS AUTHORIZED BY FOX.

SIZE C	CAGE NO. NONE	DWG. NO. 820-02-018	REV.
PLOT SCALE 0.600 INCHES		SHEET 5 OF 8	

4

3

2

1

D

D

C

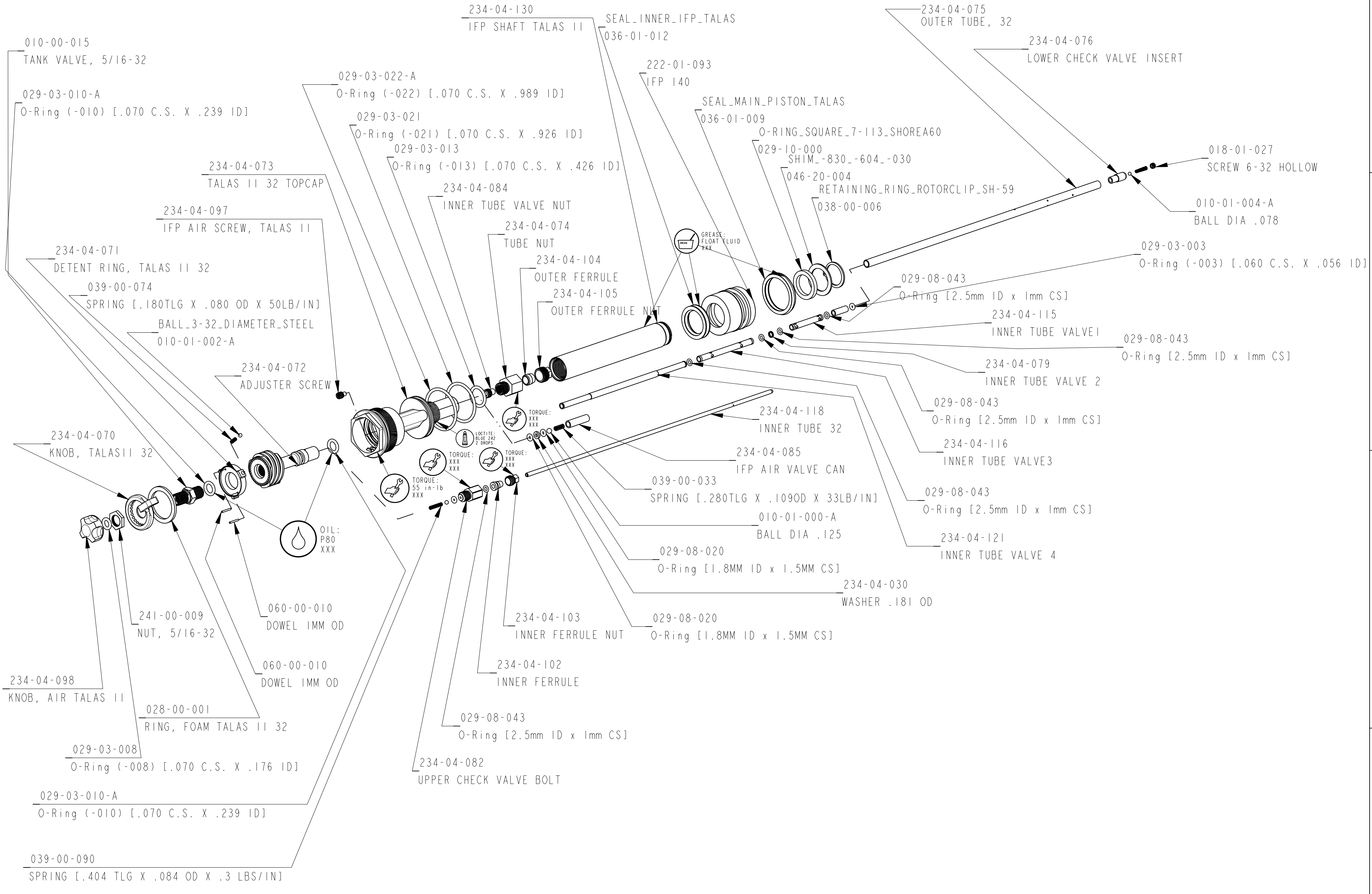
C

B

B

A

A



— PROPRIETARY —  
 THIS DOCUMENT CONTAINS CONFIDENTIAL, PROPRIETARY INFORMATION  
 THAT IS FOX PROPERTY. DO NOT DISCLOSE OR DUPLICATE  
 FOR OTHERS EXCEPT AS AUTHORIZED BY FOX

SIZE C	CAGE NO. NONE	DWG. NO. 820-02-018	REV.
PLOT SCALE 0.600	INCHES	SHEET 6 OF 8	