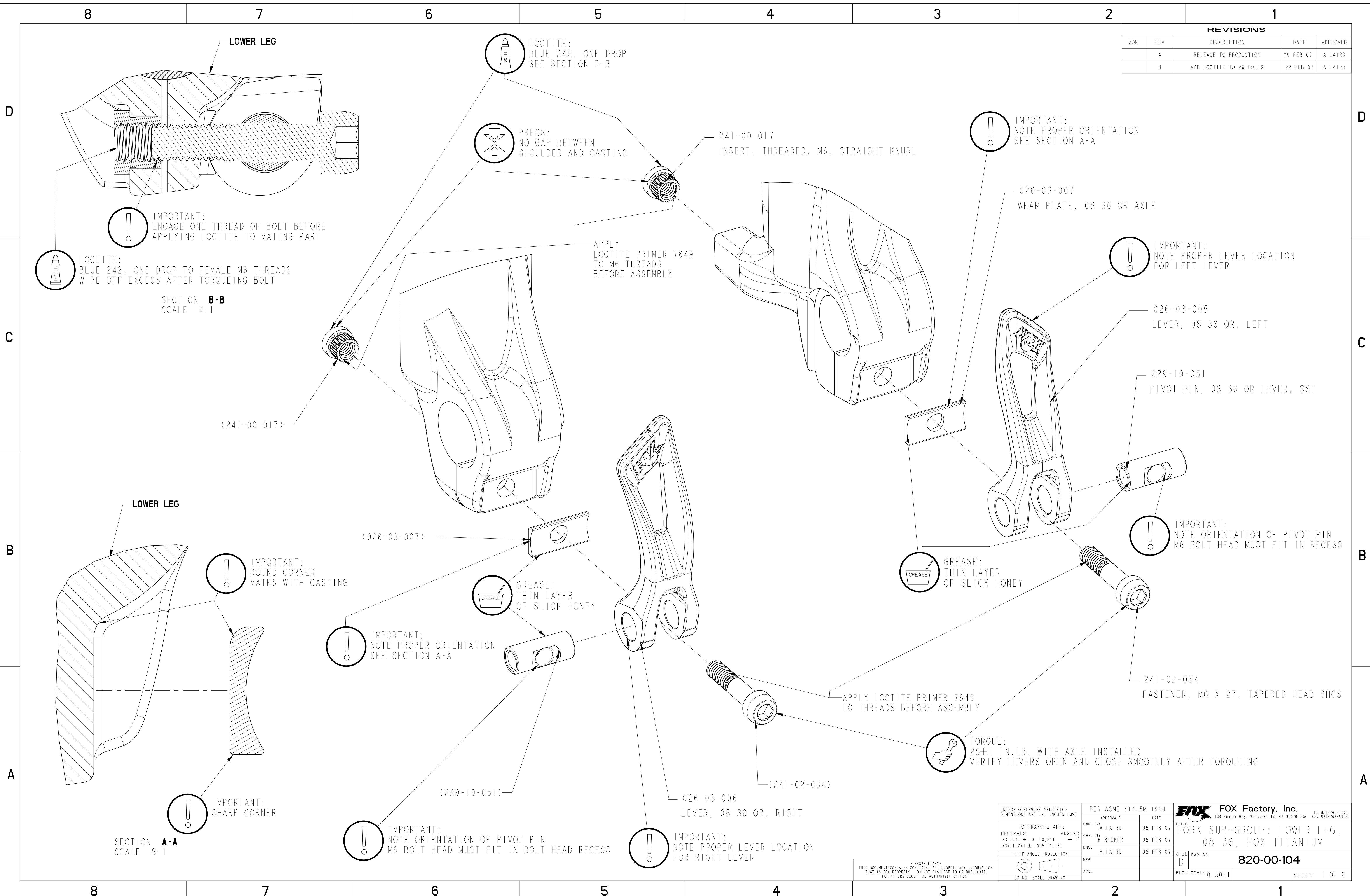


| REVISIONS | | | | |
|-----------|-----|-------------------------|-----------|----------|
| ZONE | REV | DESCRIPTION | DATE | APPROVED |
| | A | RELEASE TO PRODUCTION | 09 FEB 07 | A LAIRD |
| | B | ADD LOCTITE TO M6 BOLTS | 22 FEB 07 | A LAIRD |

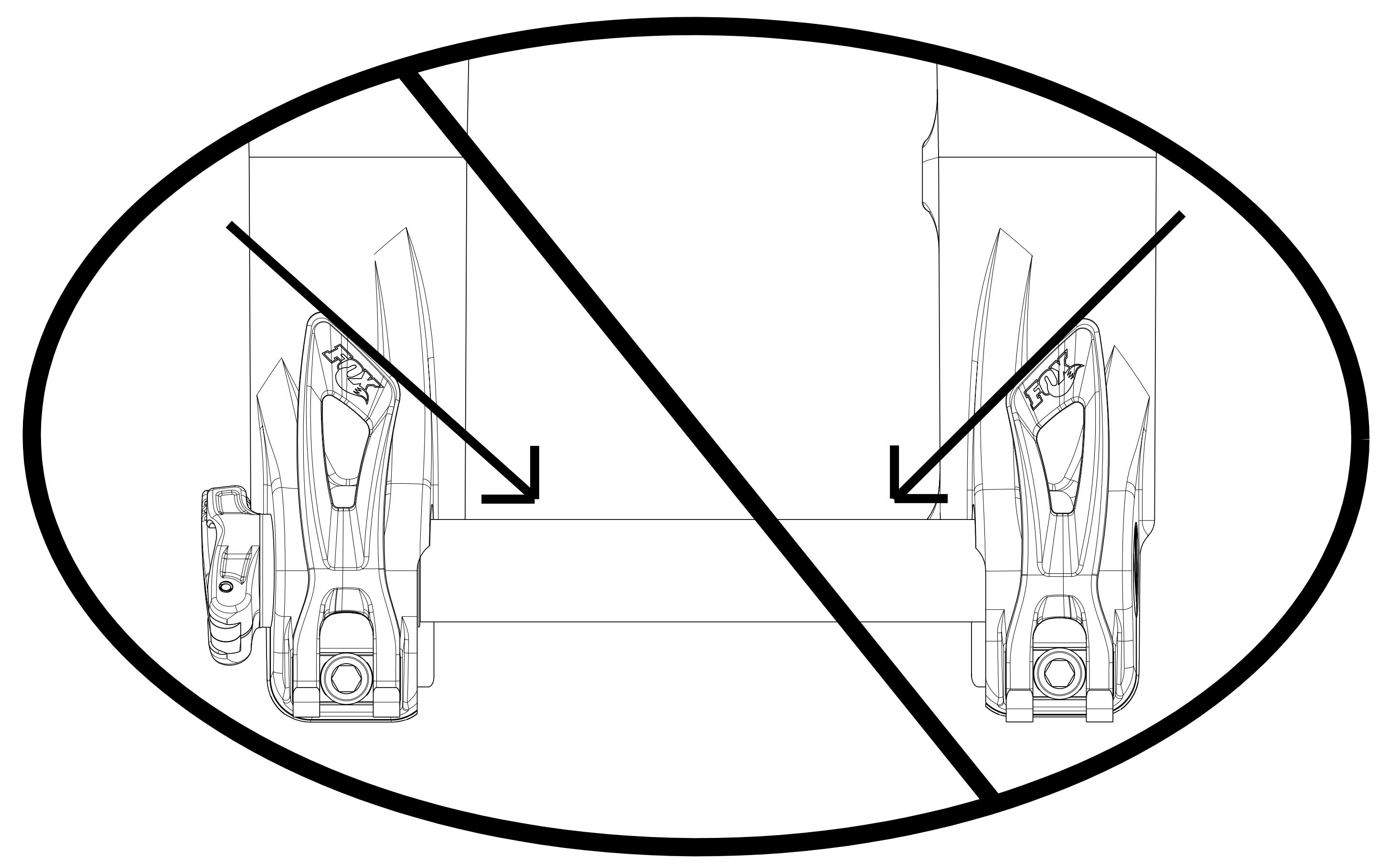
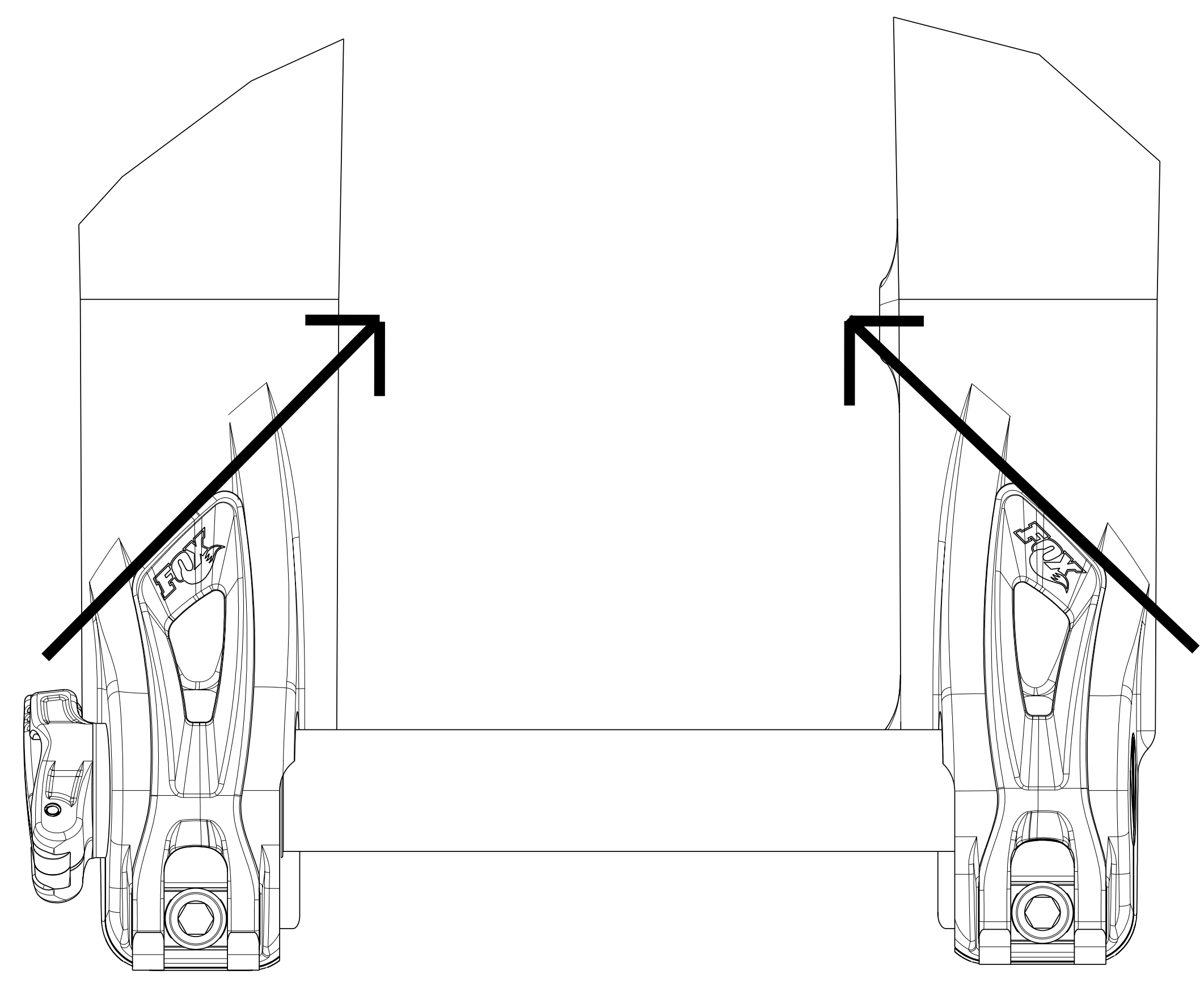


| | | |
|--|--|--|
| UNLESS OTHERWISE SPECIFIED DIMENSIONS ARE IN: INCHES (MM) | PER ASME Y14.5M 1994 | FOX FOX Factory, Inc. 130 Hangar Way, Watsonville, CA 95076 USA Ph 831-768-1100 Fax 831-768-9312 |
| TOLERANCES ARE: DECIMALS .XX (.XX) ± .01 (0.25) ANGLES ± 1° XXX (.XX) ± .005 (0.13) | APPROVALS DWN. BY: A LAIRD CHK. BY: B BECKER ENG. BY: A LAIRD MFG. ADD. | DATE 05 FEB 07 05 FEB 07 05 FEB 07 |
| THIRD ANGLE PROJECTION | TITLE FORK SUB-GROUP: LOWER LEG, 08 36, FOX TITANIUM | |
| DO NOT SCALE DRAWING | SIZE DWG. NO. 820-00-104 | |
| | PLOT SCALE 0.50:1 | |
| | SHEET 1 OF 2 | |

PROPRIETARY INFORMATION
THIS DOCUMENT CONTAINS CONFIDENTIAL, PROPRIETARY INFORMATION THAT IS FOX PROPERTY. DO NOT DISCLOSE TO OR DUPLICATE FOR OTHERS EXCEPT AS AUTHORIZED BY FOX.

2008 36 QR FORKS

VERIFY PROPER LEVER INSTALLATION AND ORIENTATION



— PROPRIETARY —
THIS DOCUMENT CONTAINS CONFIDENTIAL, PROPRIETARY INFORMATION
THAT IS FOX PROPERTY. DO NOT DISCLOSE TO OR DUPLICATE
FOR OTHERS EXCEPT AS AUTHORIZED BY FOX.

| | | | |
|------------|----------|------------|--------------|
| SIZE | CAGE NO. | DWG. NO. | REV. |
| D | NONE | 820-00-104 | B |
| PLOT SCALE | 0.750 | INCHES | SHEET 2 OF 2 |