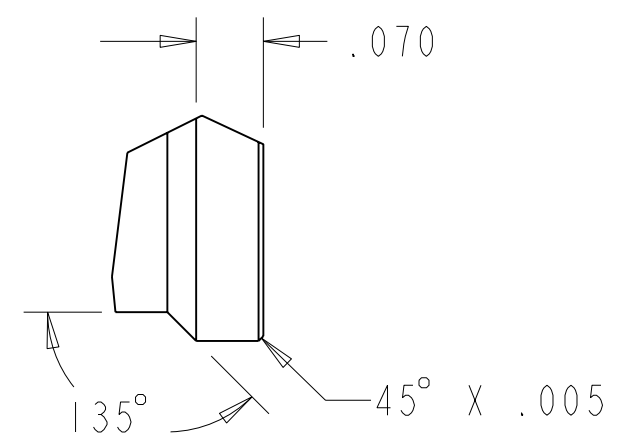
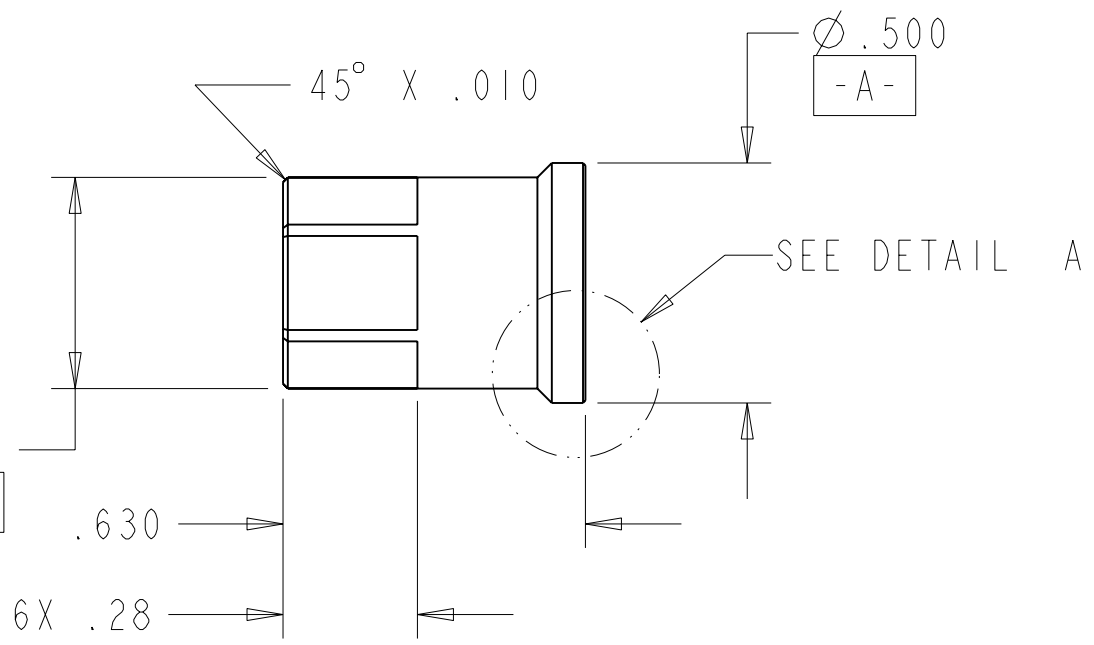
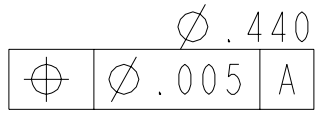
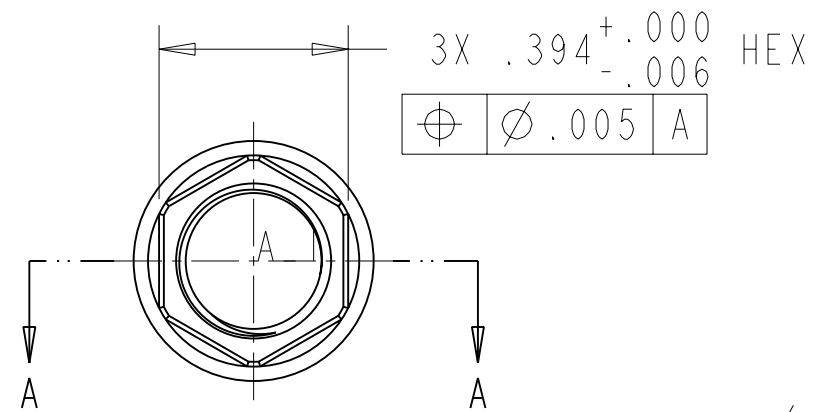
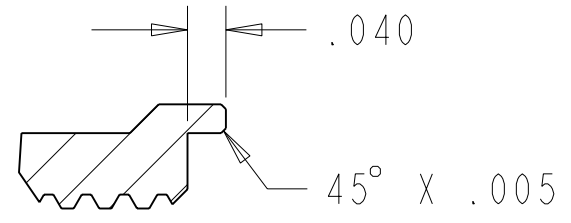
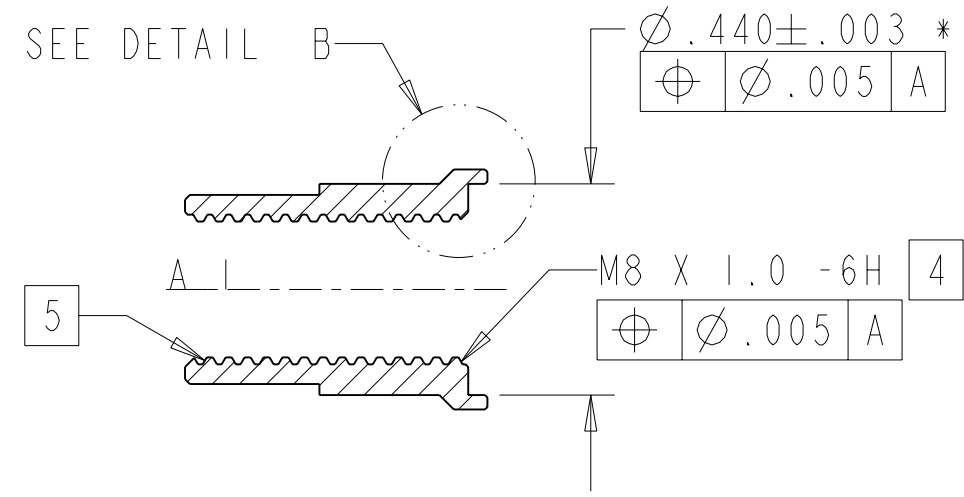


— PROPRIETARY —
 THIS DOCUMENT CONTAINS CONFIDENTIAL, PROPRIETARY INFORMATION
 THAT IS FOX PROPERTY. DO NOT DISCLOSE TO OR DUPLICATE
 FOR OTHERS EXCEPT AS AUTHORIZED BY FOX.

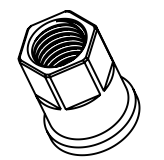
REVISIONS				
ZONE	REV	DESCRIPTION	DATE	APPROVED
	A	RELEASE FOR PRODUCTION	02FEB06	



DETAIL A
 SCALE 5:1



DETAIL B
 SCALE 5:1



SCALE 1:1

NOTES: (UNLESS OTHERWISE SPECIFIED)

- 1 MATERIAL: ALUMINUM AISI 6061-T6
2. GENERAL SURFACE FINISH: 63 RMS
3. FINISH: ANODIZE PER MIL-A-8625, TYPE II, CLASS 2 (DYED), COLOR: BLACK.
- 4 THREAD FORM AS PER ANSI B1.13M (LATEST REL.).
- 5 45° CHAMFER TO MINOR DIAMETER.
6. ALL DIMENSIONS & THREAD FORM APPLY AFTER PLATING.
7. NO RAISED EDGES, BURRS OR DEBRIS ALLOWED ON INTERIOR OR EXTERIOR OF PART.
8. EDGE BREAK: .000 MIN./ .010 MAX.
 CORNER RAD.: .000 MIN./ .008 MAX.
9. STARRED (*) DIMENSIONS AND NOTES ARE CRITICAL AND NOTED FOR QC INSPECTION.

ITEM NO.	QTY.	PART NUMBER	DESCRIPTION	MATERIAL SPEC	
				1	
UNLESS OTHERWISE SPECIFIED DIMENSIONS ARE IN INCHES [MM]		PER ASME Y14.5M 1994	FOX Factory, Inc. 130 Hangar Way, Watsonville, CA 94076 USA, Ph 831-768-1100, Fax 831-768-9312 BOTTOM NUT, 07 X, BLACK ANO		
TOLERANCES ARE:		APPROVALS			DATE
DECIMALS		DWN. BY			
ANGLES		CHK. BY			
.XX [.X] ± .01 [0,25]		ENG.			
.XXX [.XX] ± .005 [0,13]		MFG.			
THIRD ANGLE PROJECTION		ADD.			
DO NOT SCALE DRAWING					
		SIZE B	PART NO. 241-01-014		
		PLOT SCALE 3:1		SHEET 1 OF 1	