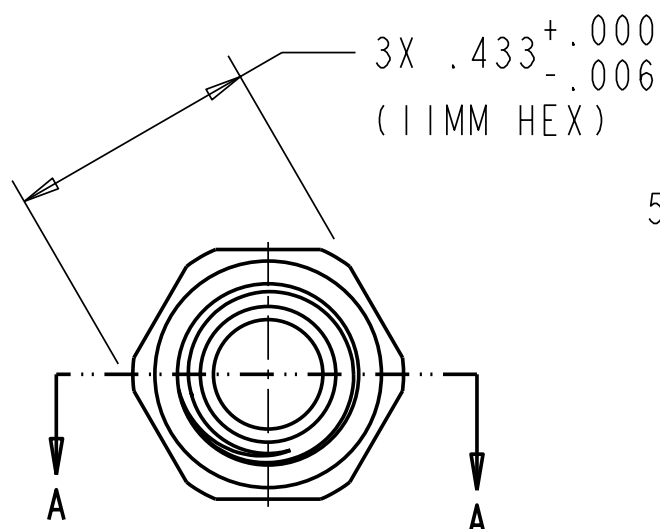
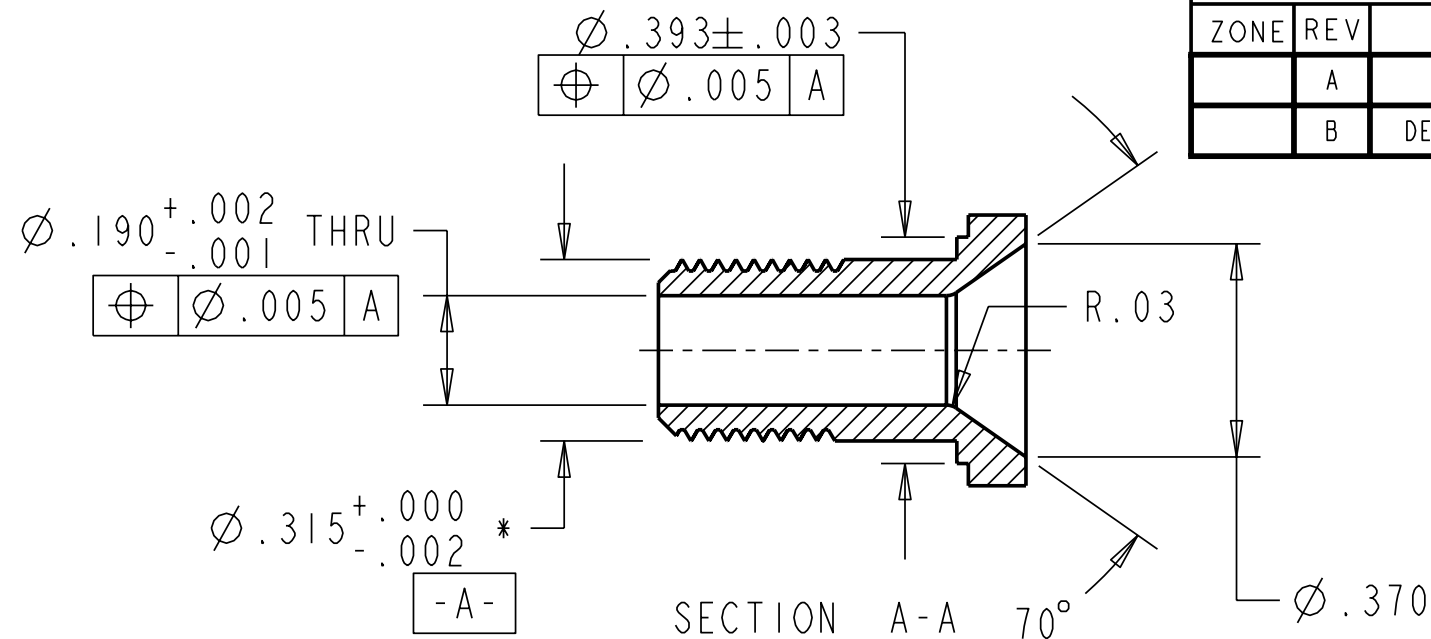


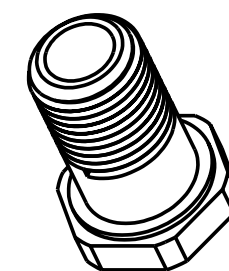
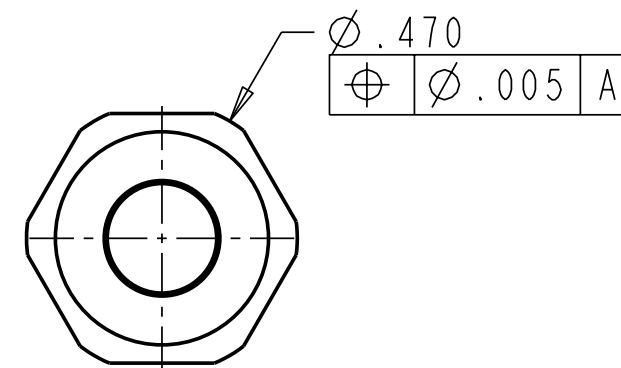
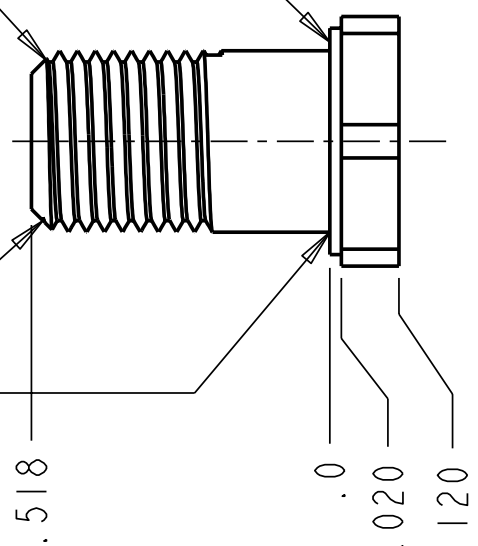
— PROPRIETARY —  
 THIS DOCUMENT CONTAINS CONFIDENTIAL, PROPRIETARY INFORMATION  
 THAT IS FOX PROPERTY. DO NOT DISCLOSE TO OR DUPLICATE  
 FOR OTHERS EXCEPT AS AUTHORIZED BY FOX.

REVISIONS				
ZONE	REV	DESCRIPTION	DATE	APPROVED
	A	RELEASE FOR PRODUCTION	28FEB03	
	B	DECREASED TOLERANCE ON THRU HOLE	13FEB04	



5/16-32 UNEF -2A [4] \*  
 FULL THREAD .320±.020

45° X .040 \*  
 SHARP, R.005 MAX.\*



SCALE 2:1

NOTES: (UNLESS OTHERWISE SPECIFIED)

- MATERIAL: STAINLESS STEEL 303 OR 416
- GENERAL SURFACE FINISH: 63 RMS
- FINISH: NONE
- THREAD AS PER ANSI B1.1 (LATEST REL.).
- NO BURRS OR DEBRIS ALLOWED ON INTERIOR OR EXTERIOR OF PART.
- EDGE BREAK: .005  
 CORNER RADIUS: .008 MAX.
- STARRED (\*) DIMENSIONS AND NOTES ARE CRITICAL AND NOTED FOR QC INSPECTION.

ITEM NO.	QTY.	PART NUMBER	DESCRIPTION	MATERIAL SPEC
			PER ANSI Y14.5M 1994	[1]
UNLESS OTHERWISE SPECIFIED DIMENSIONS ARE IN INCHES			<b>FOX Factory, Inc.</b> 130 Hangar Way, Watsonville, CA 94076 USA, Ph 831-768-1100, Fax 831-768-9312	
TOLERANCES ARE:			APPROVALS	DATE
DECIMALS .XX ± .01			DWN. BY B. BECKER	22OCT02
ANGLES ± 1°			CHK. BY B. BECKER	22OCT02
.XXX ± .005			ENG. B. BECKER	22OCT02
THIRD ANGLE PROJECTION			MFG.	
			ADD.	
DO NOT SCALE DRAWING			SIZE B	PART NO. 210-10-019
			PLOT SCALE 3:1	SHEET 1 OF 1