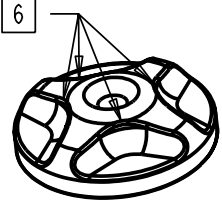
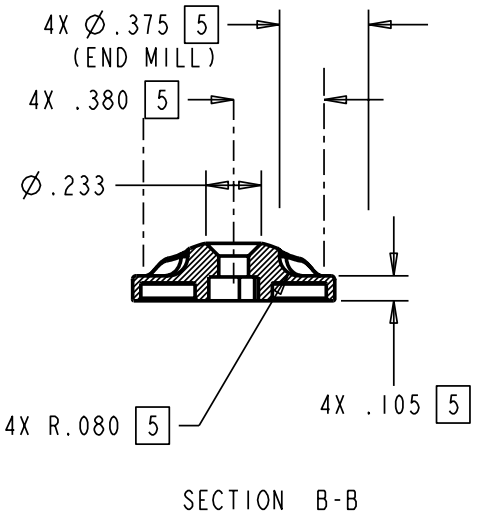
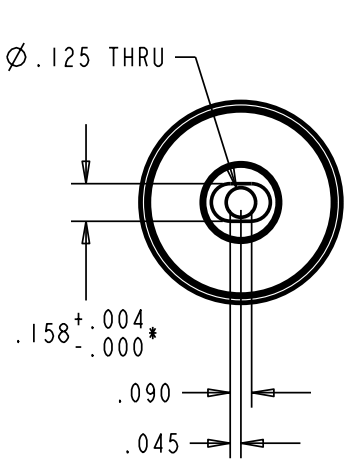
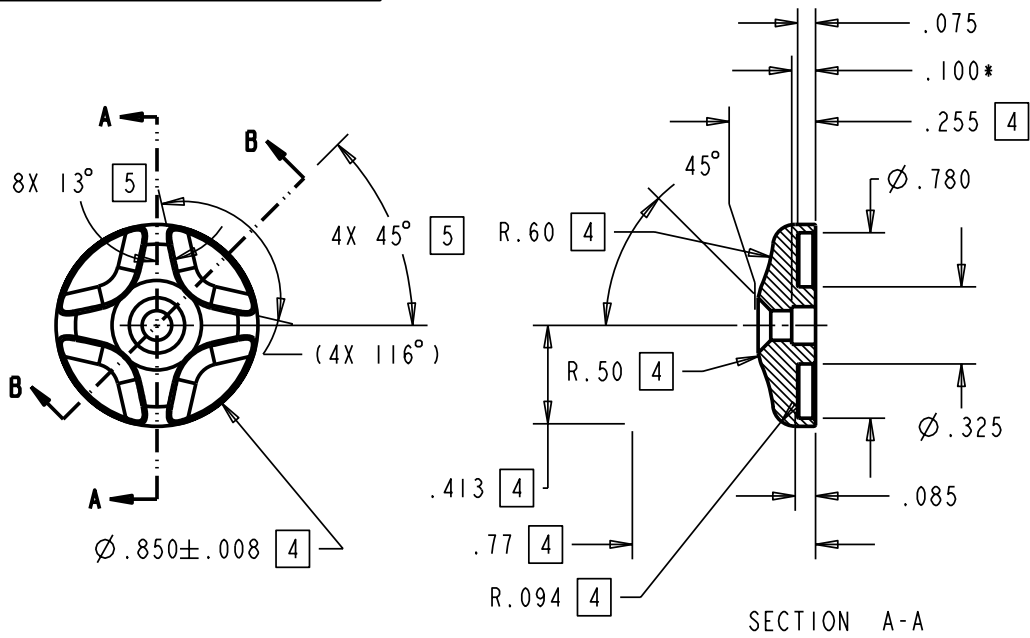


— PROPRIETARY —
 THIS DOCUMENT CONTAINS CONFIDENTIAL, PROPRIETARY INFORMATION
 THAT IS FOX PROPERTY. DO NOT DISCLOSE TO OR DUPLICATE
 FOR OTHERS EXCEPT AS AUTHORIZED BY FOX.

REVISIONS				
ZONE	REV	DESCRIPTION	DATE	APPROVED
	I	RELEASE FOR PROTOTYPE	07JAN04	



NOTES: (UNLESS OTHERWISE SPECIFIED)

- [1] MATERIAL: ALUMINUM 6061-T6.
- 2. GENERAL SURFACE FINISH: 63 RMS
- 3. FINISH: ANODIZE PER MIL-A-8625, TYPE II, CLASS 2 (DYED), COLOR: RED, MUST BE MATCHED TO FOX COLOR SAMPLES. DYE MUST BE UV RESISTANT.
- [4] DIMENSIONS SHOWN ARE FOR TURNED PROFILE OF KNOB.
- [5] DIMENSIONS SHOWN ARE FOR PATTERN AND END MILL.
- [6] PART IS TO BE TUMBLE DEBURRED TO RADIUS EDGES, THEN ANODIZE PART.
- 7. EDGE BREAK: .005 MIN. / .015 MAX.
CORNER RAD.: .000 MIN. / .015 MAX.
- 8. STARRED (*) DIMENSIONS ARE CRITICAL AND NOTED FOR QC INSPECTION.

ITEM NO.	QTY.	PART NUMBER	DESCRIPTION	MATERIAL SPEC
			PER ANSI Y14.5M 1994	[1]
UNLESS OTHERWISE SPECIFIED DIMENSIONS ARE IN INCHES			FOX Factory, Inc. 130 Hongar Way, Watsonville, CA 94076 USA, Ph 831-768-1100, Fax 831-768-9312	
TOLERANCES ARE:		APPROVALS	DATE	
DECIMALS	ANGLES	DWN. BY		
.XX ± .01	± 1°	B. BECKER	28JAN01	
.XXX ± .005		CHK. BY		
		B. BECKER	28JAN01	
THIRD ANGLE PROJECTION		ENG.		
		B. BECKER	28JAN01	
DO NOT SCALE DRAWING		MFG.		
		ADD.		
			SIZE	PART NO.
			B	210-03-052
			PLOT SCALE 2:1	SHEET 1 OF 1