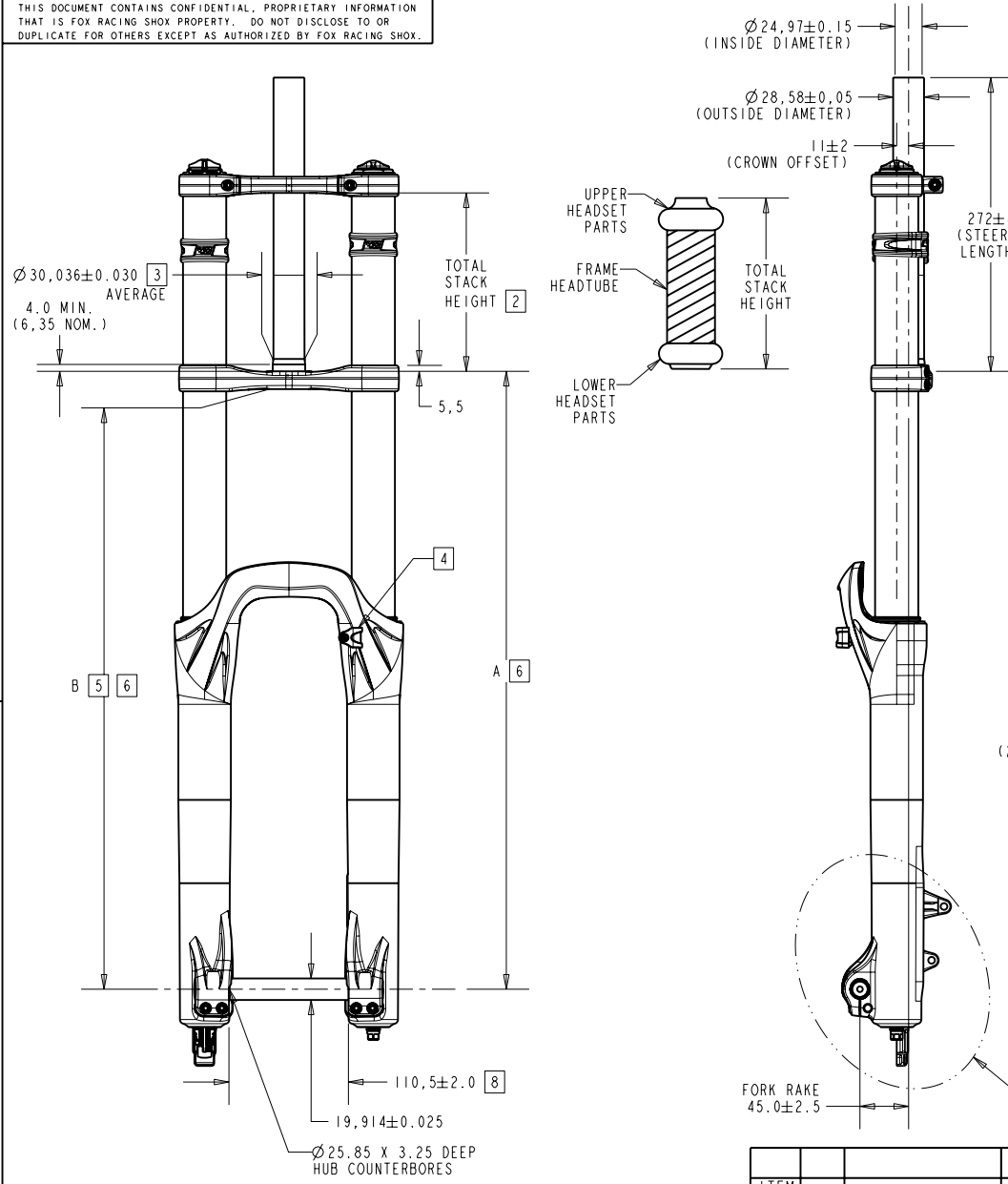
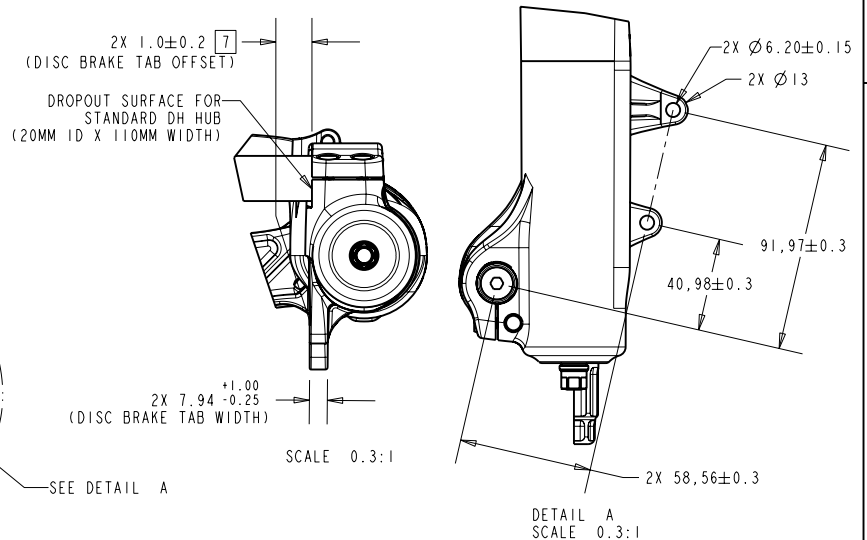


— PROPRIETARY —
THIS DOCUMENT CONTAINS CONFIDENTIAL, PROPRIETARY INFORMATION THAT IS FOX RACING SHOX PROPERTY. DO NOT DISCLOSE TO OR DUPLICATE FOR OTHERS EXCEPT AS AUTHORIZED BY FOX RACING SHOX.



	ALL 7" (178mm) TRAVEL 40 FORK MODELS	ALL 8" (203mm) TRAVEL 40 FORK MODELS
A ± 5.0MM	545.8 (367.8)	571.2 (368.2)
B ± 5.0MM	529.3 (351.3)	554.7 (351.7)



REVISIONS				
ZONE	REV	DESCRIPTION	DATE	APPROVED
	A	RELEASE FOR DISTRIBUTION	05JAN06	
	B	CHANGED STEERER DIA. TOLERANCE FROM ± 0.025 TO ± 0.030 AND TO BE MEASURED AVERAGE.	19JUL06	

- NOTES: (UNLESS OTHERWISE SPECIFIED)
- DRAWING NOT TO SCALE: FOX RACING SHOX RESERVES THE RIGHT TO CHANGE SPECIFICATIONS WITHOUT NOTICE.
 - TOTAL STACK HEIGHT = FRAME HEADTUBE LENGTH + TOTAL HEADSET STACK HEIGHT. FOR TOTAL STACK HEIGHT OF 90-165MM, ORDER FORK MODEL WITH SMALL-LARGE UPPER CROWN. FOR TOTAL STACK HEIGHT OF 165-181MM, ORDER FORK MODEL WITH EXTRA LARGE UPPER CROWN.
 - OUTSIDE DIAMETER OF STEERER IS MEASURED "FRONT TO BACK" AND "LEFT TO RIGHT" RIDER'S PERSPECTIVE AND AVERAGED. INSIDE DIAMETER OF HEADSET CUP MUST NOT BE LESS THAN Ø 30.036 DIAMETER + 0.30MM.
 - DISC BRAKE HOSE GUIDE AND FASTENER IS INCLUDED WITH FORK.
 - TIRE SIZE LIMIT IS 26X 2.80 INCH WIDE. ANY TIRE SIZE GREATER THAN 2.6 INCH WIDE MUST BE CHECKED WITH FORK FULLY COMPRESSED AND HAVE A MINIMUM OF 6.0MM "TIRE TO CROWN" CLEARANCE.
 - DIMENSIONS IN PARENTHESIS ARE WITH FORK FULLY COMPRESSED.
 - DIMENSION IS FROM INSIDE OF AXLE DROPOUT FACE TO INSIDE OF DISC BRAKE MOUNT TABS.
 - FORK USES STANDARD 20MM ID X 110MM WIDE DH HUB. AXLE IS INCLUDED WITH FORK.
 - FORK IS ONLY TO USE DISC BRAKES. FORK IS DESIGNED TO USE DH-SIZE BRAKE SYSTEMS (200-225 MM ROTORS). DISC BRAKE BOLT PATTERN USES:
XC CALIPER
XC CALIPER MOUNT FOR INTERNATIONAL XC MOUNT PATTERN
DH SIZE ROTOR (200-225MM OUTSIDE DIAMETER)
 - FOX FORK ARE NOT TO BE USED ON ANY TANDEM BICYCLE.

ITEM NO.	QTY.	PART NUMBER	DESCRIPTION	MATERIAL SPEC
		PER ASME Y14.5M 1994	FOX Factory, Inc. 130 Hangar Way, Watsonville, CA 95076 USA, Ph 831-768-1100, Fax 831-768-9312	
		TOLERANCES ARE: DECIMALS .X ± 0.25 .XX ± 0.13 ANGLES ± 1°		
		THIRD ANGLE PROJECTION	2007 FOX 40 FORK USER SPECIFICATION SIZE A PART NO.	
		DO NOT SCALE DRAWING		
		APPROVALS	DATE	
		DWN. BY A. GARIBAY	28DEC05	
		CHK. BY B. BECKER	05JAN06	
		ENG. B. BECKER	28DEC05	
		MFG.		
		ADD.		
			PLOT SCALE 0.04:1	SHEET 1 OF 1