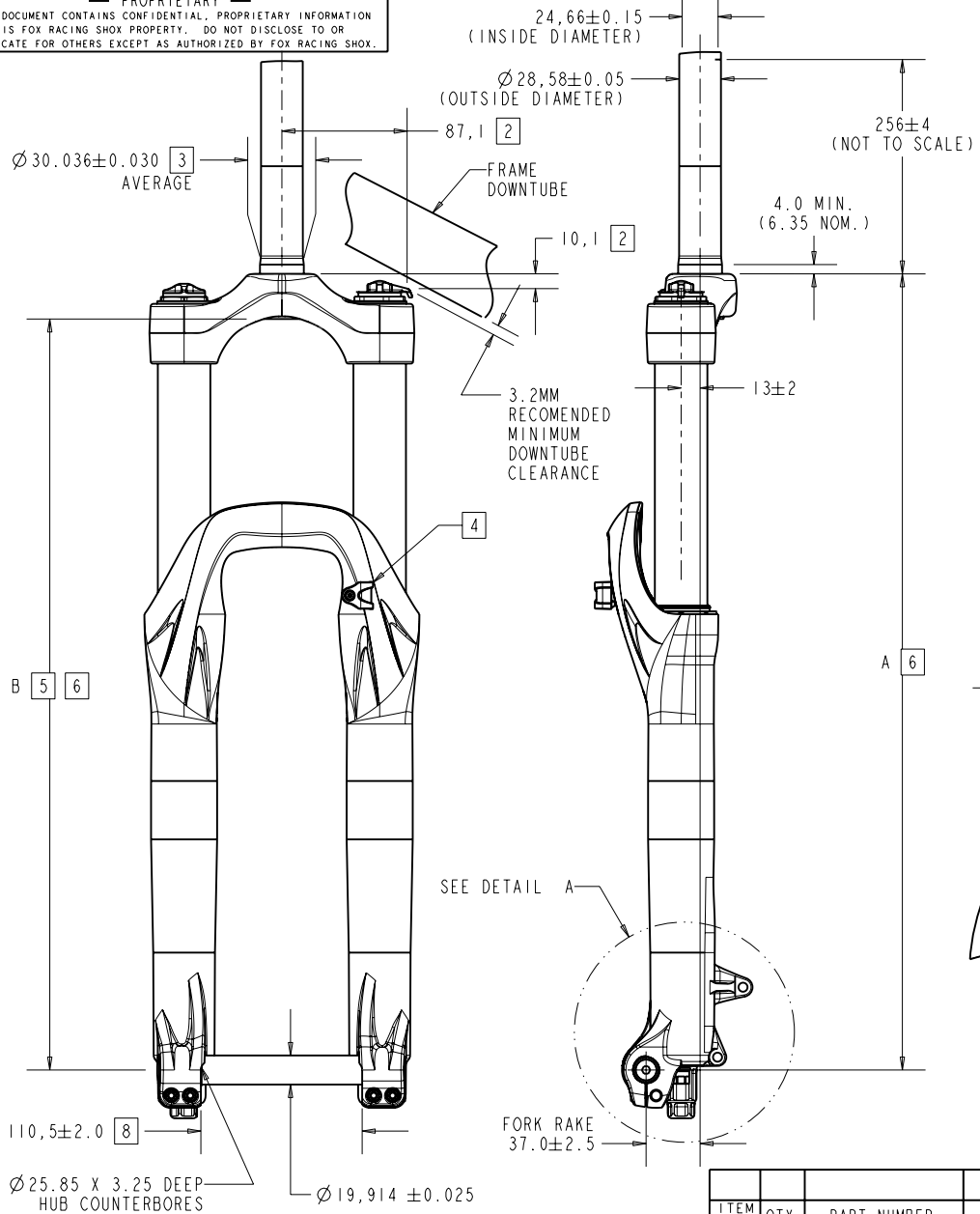
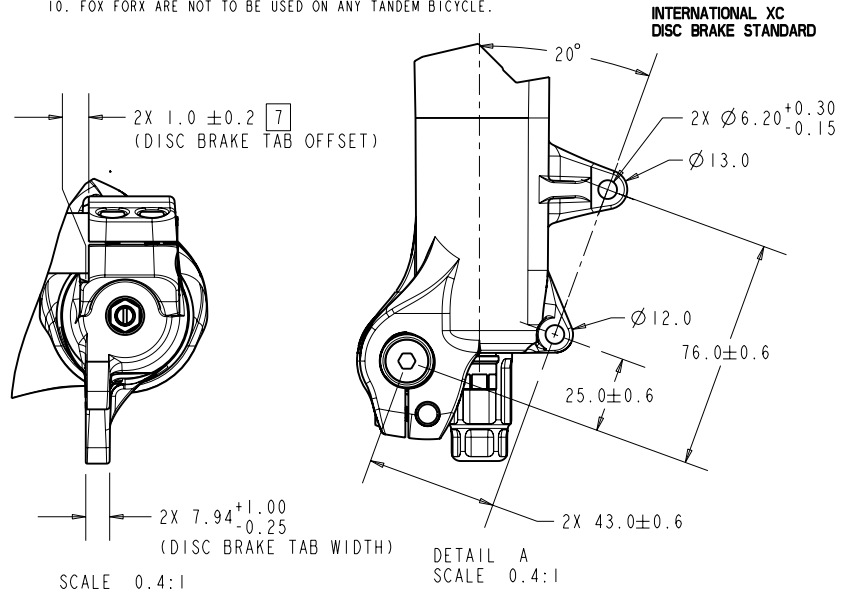


— PROPRIETARY —
THIS DOCUMENT CONTAINS CONFIDENTIAL, PROPRIETARY INFORMATION THAT IS FOX RACING SHOX PROPERTY. DO NOT DISCLOSE TO OR DUPLICATE FOR OTHERS EXCEPT AS AUTHORIZED BY FOX RACING SHOX.

REVISIONS				
ZONE	REV	DESCRIPTION	DATE	APPROVED
	A	RELEASE FOR DISTRIBUTION	07JAN06	
	B	CHANGED STEERER DIA. FROM 30.048±0.025 TO 30.036±0.030 AND TO BE MEASURED AVERAGE.	19JUL06	



- NOTES: (UNLESS OTHERWISE SPECIFIED)
- DRAWING NOT TO SCALE: FOX RACING SHOX RESERVES THE RIGHT TO CHANGE SPECIFICATIONS WITHOUT NOTICE.
 - DIMENSIONS SHOWN ARE TO THE TALLEST KNOB IN THE HIGHEST POSITION FOR ALL 36 MODELS.
 - OUTSIDE DIAMETER OF STEERER IS MEASURED "FRONT TO BACK" AND "LEFT TO RIGHT" RIDER'S PERSPECTIVE AND AVERAGED. INSIDE DIAMETER OF HEADSET CUP MUST NOT BE LESS THAN Ø30.036 DIAMETER + 0.30MM.
 - DISC BRAKE HOSE/CABLE GUIDE AND FASTENER IS INCLUDED WITH FORK.
 - TIRE SIZE LIMIT IS 26 X 2.80 INCH WIDE. ANY TIRE SIZE GREATER THAN 2.6 INCH WIDE MUST BE CHECKED WITH FORK FULLY COMPRESSED AND HAVE A MINIMUM OF 6.0 MM "TIRE TO CROWN" CLEARANCE.
 - DIMENSIONS IN PARENTHESIS ARE WITH FORK FULLY COMPRESSED. DIMENSIONS FOR ALL AIR FORKS ARE BASED ON MEDIUM RIDER WEIGHT AIR PRESSURE SETTING.
 - DIMENSION IS FROM INSIDE OF AXLE DROP OUT FACE TO INSIDE OF DISC BRAKE MOUNT TABS.
 - FORK USES STANDARD 20MM ID X 110MM WIDE DH HUB. AXLE IS INCLUDED WITH FORK.
 - FORK IS ONLY TO USE DISC BRAKES. FORK IS DESIGNED TO USE 160-205 MM DISC ROTORS. FORK CALIPER MOUNTING BOLT PATTERN IS MADE TO INTERNATIONAL XC DISC BRAKE STANDARD.
 - FOX FORK ARE NOT TO BE USED ON ANY TANDEM BICYCLE.



B

B

A

A

	ALL 36 FLOAT, TALAS AND VAN 160mm TRAVEL FORKS
A±5.0mm	545.3 (385.3)
B±5.0mm	514.4 (354.4)

ITEM NO.	QTY.	PART NUMBER	DESCRIPTION	MATERIAL SPEC
UNLESS OTHERWISE SPECIFIED DIMENSIONS ARE IN MM.			PER ASME Y14.5M 1994	
TOLERANCES ARE: DECIMALS .X ± 0.25 .XX ± 0.13			APPROVALS	DATE
THIRD ANGLE PROJECTION			DWN. BY A. GARIBAY	07JAN06
DO NOT SCALE DRAWING			CHR. BY B. BECKER	07JAN06
			ENG. B. BECKER	07JAN06
			MFG.	
			ADD.	
			SIZE A	PART NO.
			PLOT SCALE 0.04:1	SHEET 1 OF 1

FOX Factory, Inc.
130 Hangar Way, Watsonville, CA 95076 USA, Ph 831-768-1100, Fax 831-768-9312
2007 FOX 36 FORK USER SPECIFICATION