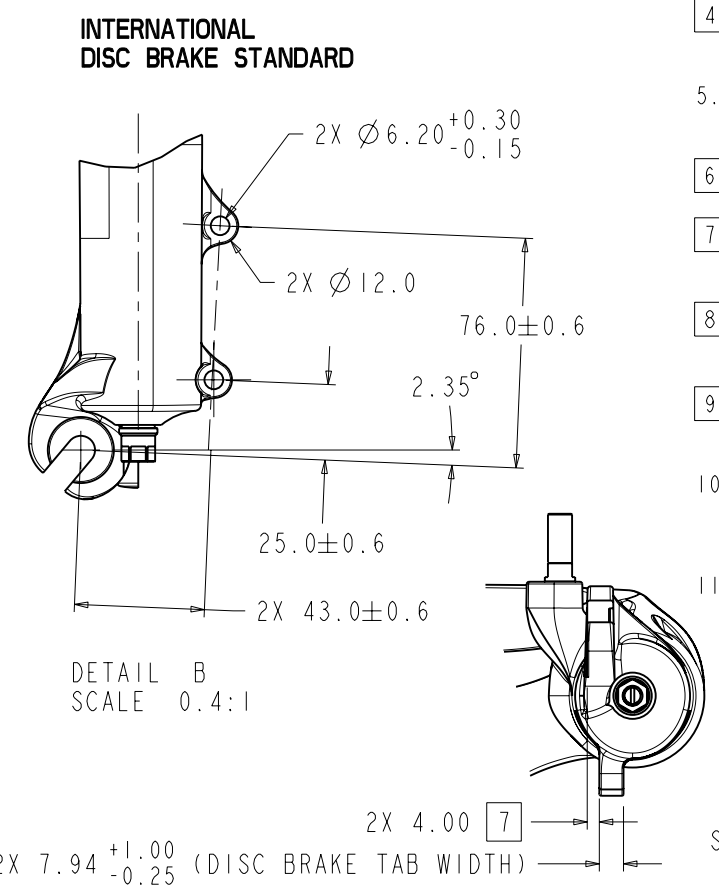
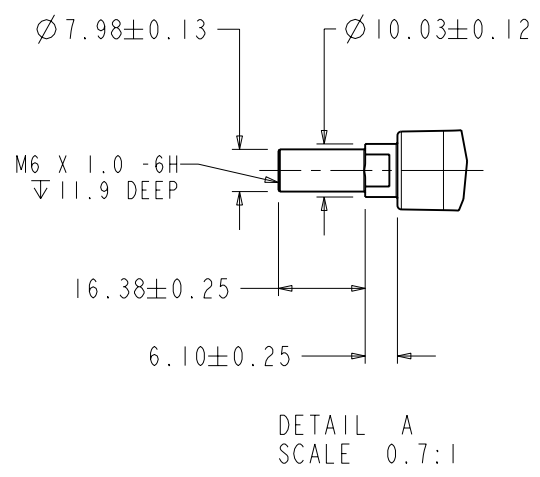
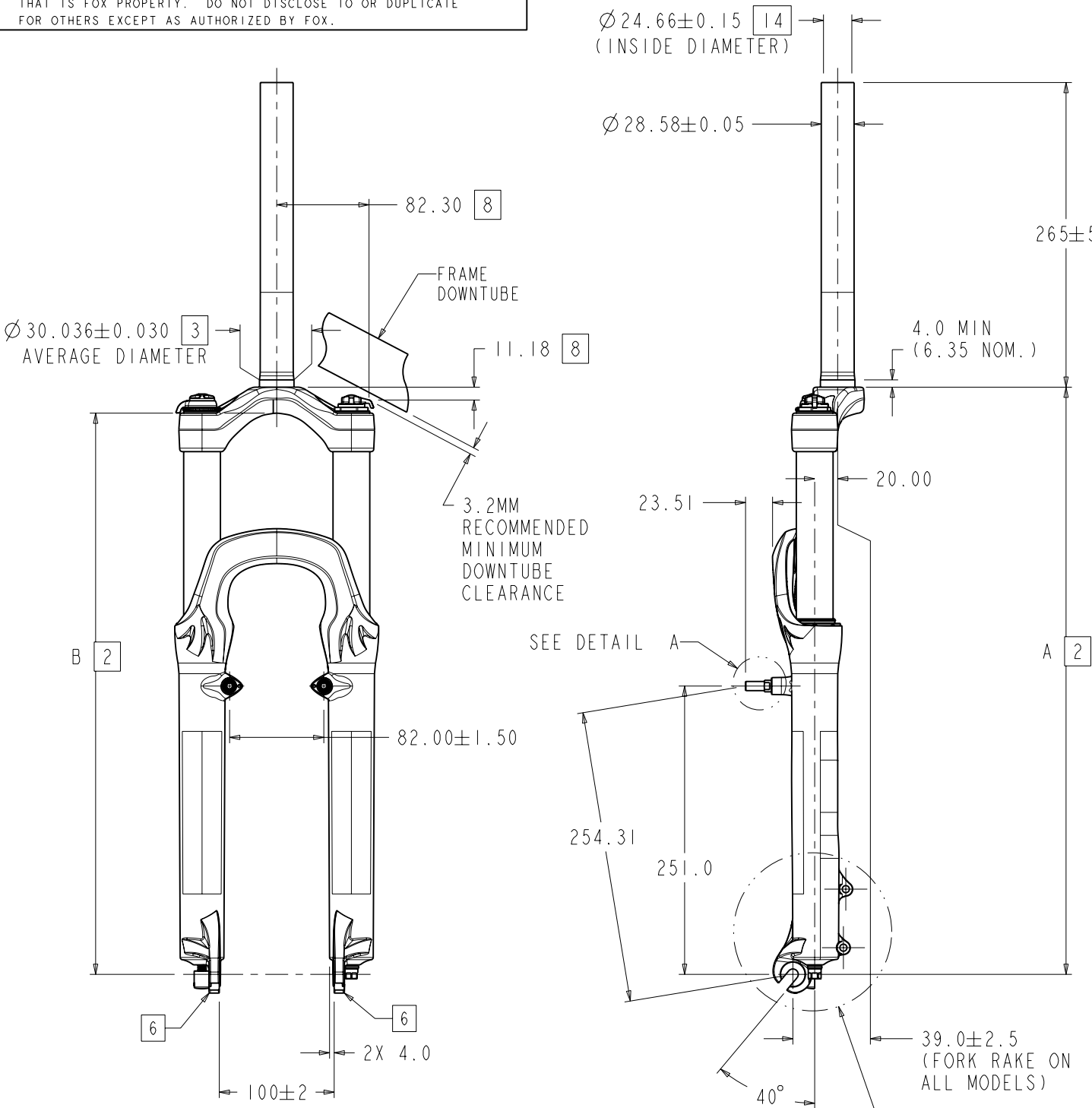


— PROPRIETARY —
 THIS DOCUMENT CONTAINS CONFIDENTIAL, PROPRIETARY INFORMATION THAT IS FOX PROPERTY. DO NOT DISCLOSE TO OR DUPLICATE FOR OTHERS EXCEPT AS AUTHORIZED BY FOX.



REVISIONS				
ZONE	REV	DESCRIPTION	DATE	APPROVED
	A	RELEASED FOR DISTRIBUTION	05JAN06	
	B	CHANGED STEERER DIA. TOLERANCE FROM ± 0.025 TO ± 0.030 AND TO BE MEASURED AVERAGE.	19JUL06	

- NOTES: (UNLESS OTHERWISE SPECIFIED)**
- DRAWING NOT TO SCALE. FOX RACING SHOX RESERVES THE RIGHT TO CHANGE SPECIFICATIONS WITHOUT PRIOR NOTICE.
 - DIMENSIONS IN PARENTHESIS ARE WITH FORK FULLY COMPRESSED. DIMENSIONS FOR ALL AIR FORK MODELS ARE BASED ON MEDIUM RIDER WEIGHT AIR PRESSURE SETTING.
 - OUTSIDE DIAMETER OF STEERER IS MEASURED "FRONT TO BACK" AND "LEFT TO RIGHT" RIDER'S PERSPECTIVE AND AVERAGED. INSIDE DIAMETER OF HEADSET CUP MUST NOT BE LESS THAN $\phi 30.036$ DIAMETER + 0.30MM.
 - INSIDE DIAMETER OF STEERER IS COMMON FOR ALL FOX FORK EXCEPT FOR THE "F" SERIES MODELS WHICH IS $\phi 24.79 \pm 0.15$.
 - CANTILEVER BRAKE POST MOUNT IS STANDARD WITH ONE SPRING MOUNT HOLE. POST IS PERPENDICULAR TO FORK TUBE WITHIN 0.25MM.
 - FRONT QUICK RELEASE/AXLE RETENTION FEATURE IS BUILT IN: CPSC STYLE.
 - DIMENSION IS FROM INSIDE OF AXLE DROPOUT FACE TO INSIDE OF DISC BRAKE MOUNT TABS.
 - DIMENSIONS ARE TO THE POINT ON THE KNOB THAT IS CLOSEST TO THE DOWNTUBE.
 - INDIVIDUAL TIRES MUST MEASURED WITH FORK FULLY COMPRESSED AND HAVE A MINIMUM OF 5.0MM "TIRE TO CROWN" CLEARANCE.
 - FORK IS DESIGNED TO USE 160-205 MM OUTSIDE DIAMETER DISC ROTORS. DISC CALIPER MOUNTING BOLT PATTERN IS MADE TO THE INTERNATIONAL XC DISC BRAKE STANDARD.
 - FOX FORK ARE NOT TO BE USED ON A TANDEM BICYCLE.

	ALL F80 80mm FORKS	ALL F90 90mm FORKS	ALL F100 100mm FORKS	ALL FLOAT 120 120mm FORKS	ALL FLOAT 130 130mm FORKS	ALL VANILLA, TALAS & FLOAT 140mm FORKS
A ± 5.0 MM	450.9 (370.9)	460.9 (370.9)	470.9 (370.9)	490.9 (370.9)	500.9 (370.9)	510.9 (370.9)
B ± 5.0 MM	427.7 (347.7)	437.7 (347.7)	447.7 (347.7)	467.7 (347.7)	477.7 (347.7)	487.7 (347.7)
TIRE SIZE LIMIT 9	26 X 2.40	26 X 2.40	26 X 2.40	26 X 2.40	26 X 2.40	26 X 2.40

ITEM NO.	QTY.	PART NUMBER	DESCRIPTION	MATERIAL SPEC
UNLESS OTHERWISE SPECIFIED DIMENSIONS ARE IN MM.			PER ASME Y14.5M 1994	
TOLERANCES ARE: DECIMALS .X ± 0.25 ANGLES $\pm 1^\circ$.XX ± 0.13			APPROVALS	DATE
			DWN. BY A. GARIBAY	30DEC05
THIRD ANGLE PROJECTION			CHK. BY B. BECKER	05JAN06
			ENG. B. BECKER	30DEC05
DO NOT SCALE DRAWING			MFG.	ADD.
			SIZE B	PART NO.
			PLOT SCALE 0.2:1	SHEET 1 OF 1

FOX Factory, Inc.
 130 Hangar Way, Watsonville, CA 95076 USA, Ph 831-768-1100, Fax 831-768-9312
 2007 FOX 32 FORK USER SPECIFICATION