

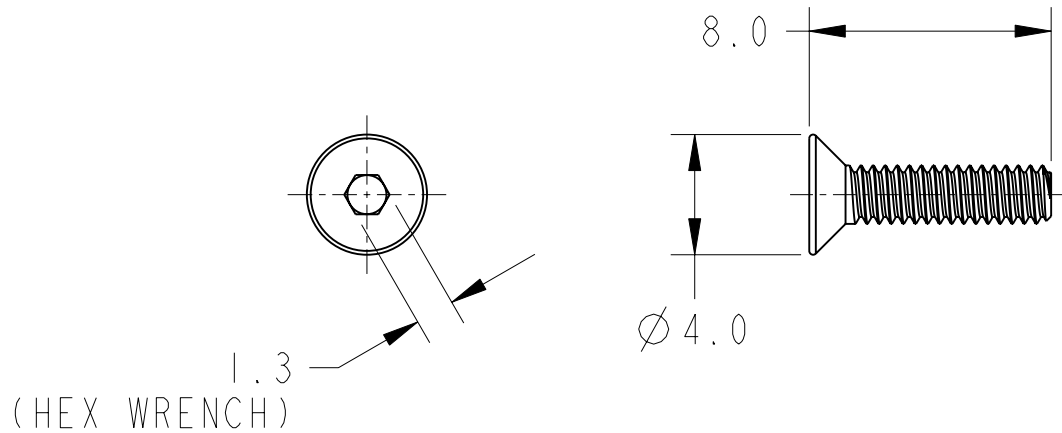
— PROPRIETARY —
 THIS DOCUMENT CONTAINS CONFIDENTIAL, PROPRIETARY INFORMATION
 THAT IS FOX RACING SHOX PROPERTY. DO NOT DISCLOSE TO OR
 DUPLICATE FOR OTHERS EXCEPT AS AUTHORIZED BY FOX RACING SHOX.

REVISIONS				
ZONE	REV	DESCRIPTION	DATE	APPROVED
	A	RELEASE FOR PRODUCTION	08FEB06	

FASTENER SPECIFICATION:

DESCRIPTION: METRIC SOCKET FLATHEAD SCREW
 SIZE: M2 x 0.4 x 8, FULL THREAD
 MATERIAL: STAINLESS STEEL, PROPERTY CLASS 70
 THREAD FORM: AS PER ANSI B1.13M (LATEST REVISION)
 PLATING: NONE

** UNLESS OTHERWISE SPECIFIED, MANUFACTURE TO ANSI B18.3M (LATEST REVISION).



ITEM NO.	QTY.	PART NUMBER	DESCRIPTION	MATERIAL SPEC
			PER ASME Y14.5M 1994	
UNLESS OTHERWISE SPECIFIED DIMENSIONS ARE IN MM.			FOX Factory, Inc. 130 Hangar Way, Watsonville, CA 94076 USA, Ph 831-768-1100, Fax 831-768-9312	
TOLERANCES ARE:			APPROVALS	DATE
DECIMALS	ANGLES		DWN. BY	
.X ± 0.25	± 1°		A. GARIBAY	04AUG05
.XX ± 0.13			CHR. BY	
			B. BECKER	04AUG05
THIRD ANGLE PROJECTION			ENG.	
			B. BECKER	04AUG05
			MFG.	
			ADD.	
DO NOT SCALE DRAWING			SIZE	PART NO.
			A	019-01-029
			PLOT SCALE	SHEET
			4:1	1 OF 1